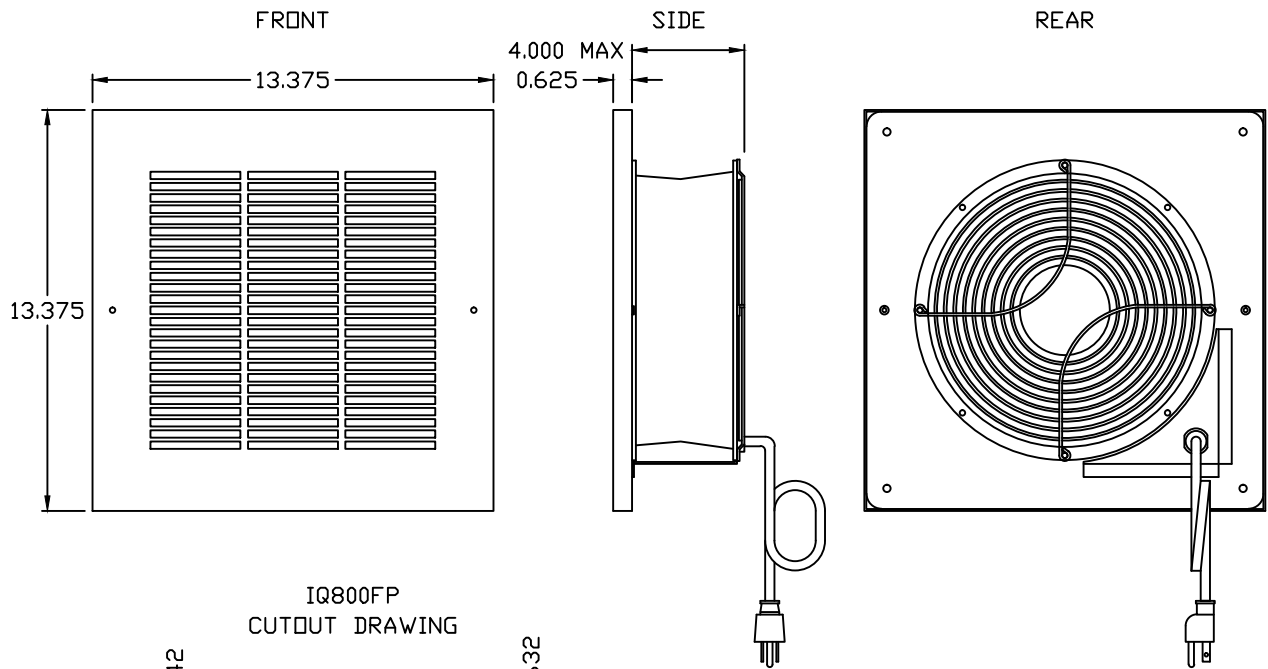
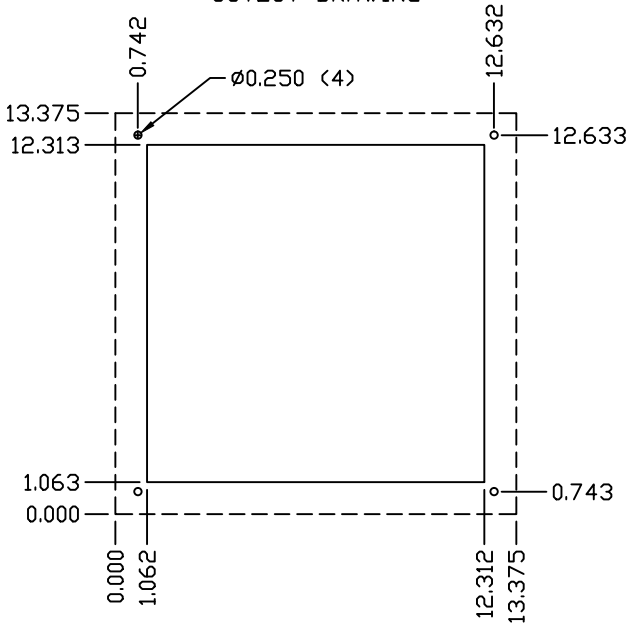


IQ800FP SPEC DRAWING

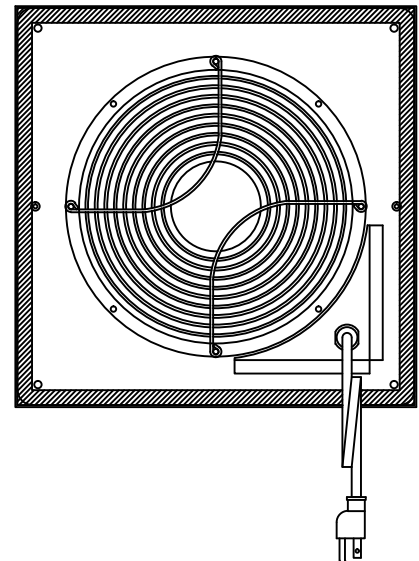
860/800 CFM FREE AIR @ 120/110 VAC 60/50 HZ
 PUSH-PULL : 1720/1600 CFM FREE AIR @ 120/110 VAC 60/50 HZ
 860/800 CFM FREE AIR @ 230/220 VAC 60/50 HZ
 PUSH-PULL : 1720/1600 CFM FREE AIR @ 230/220 VAC 60/50 HZ
 MAXIMUM AMPS : .98/1.08 @ 120/110 VAC 60/50 HZ
 PUSH-PULL : MAXIMUM AMPS : 1.96/2.16 @ 120/110 VAC 60/50 HZ
 MAXIMUM AMPS : .48/.53 @ 230/220 VAC 60/50 HZ
 PUSH-PULL : MAXIMUM AMPS : .96/1.06 @ 230/220 VAC 60/50 HZ
 MAXIMUM OPERATING TEMPERATURE : 158°F
 WEIGHT : 15 LBS.



IQ800FP
CUTOUT DRAWING



IQ800FP
GASKET DRAWING



1	ADDED PUSH-PULL	6-12-17	RCC
0	INITIAL RELEASE	5-15-08	JJH
REV	DESCRIPTION	DATE	CHECKED
REVISIONS			

PROPRIETARY DRAWING	SCALE: NONE
THIS DRAWING IS THE PROPERTY OF ICE	DATE: 5-15-08
QUIP. ANY REUSE OR ALTERATION WITHOUT	SHEET 1 OF 1
ICE QUIP, INC.	

ICEquib	1000 W. GARDEN STREET HAZLETON, PA 18202 717-837-1234 • 1-800-451-4514 FAX 717-837-1234
IQ800FP	
IQ280308	1