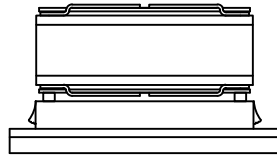


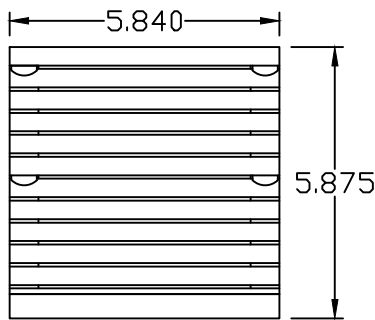
IQ100FPP SPEC DRAWING

105/80 CFM FREE AIR @ 120/110 VAC 60/50 HZ
 PUSH/PULL : 210/160 CFM FREE AIR @ 120/110 VAC 60/50 HZ
 105/80 CFM FREE AIR @ 230/220 VAC 60/50 HZ
 PUSH/PULL : 210/160 CFM FREE AIR @ 230/220 VAC 60/50 HZ
 MAXIMUM AMPS : .14/.15 @ 120/110 VAC 60/50 HZ
 PUSH/PULL : MAXIMUM AMPS : .28/.30 @ 120/110 VAC 60/50 HZ
 MAXIMUM AMPS : .09/.10 @ 230/220 VAC 60/50 HZ
 PUSH/PULL : MAXIMUM AMPS : .18/.20 @ 230/220 VAC 60/50 HZ
 MAXIMUM OPERATING TEMPERATURE : 176°F
 WEIGHT: 1.5 LBS

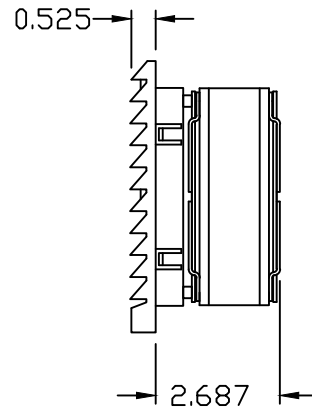
TOP



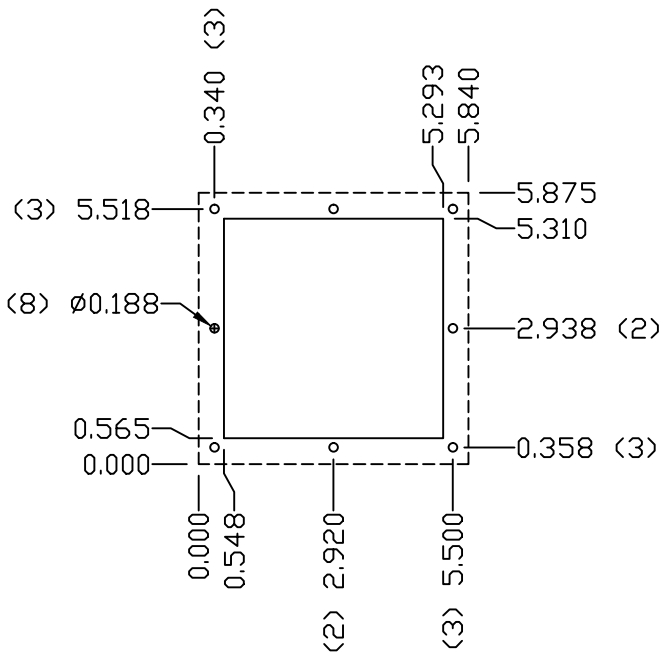
FRONT



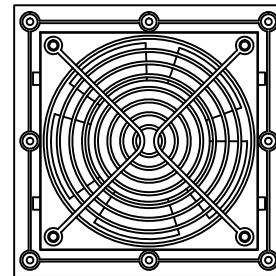
RIGHT SIDE



IQ100FPP
CUTOUT DRAWING



IQ100FPP
REAR VIEW



3	ADDED PUSH/PULL	6-12-17	RCC
2	UPDATED SPEC	2-10-10	JMH
1	UPDATED SPEC	11-14-08	JMH
0	INITIAL RELEASE	9-9-08	JMH
REV	DESCRIPTION	DATE	CHECKED
	REVISIONS		

PROPRIETARY DRAWING
 THIS DRAWING IS THE PROPERTY OF ICE. IT IS TO BE KEPT IN CONFIDENCE AND IS NOT TO BE REPRODUCED OR ALTERED WITHOUT AUTHORIZATION OF ICE. BUREAU, INC.

DRAWN: JMH SCALE: NONE
 DATE: 9-9-08
 SHEET 1 OF 1

ICE EQUINOX CEILING EQUIPMENT
 200 WILSON AVENUE
 WILKESBORO, PA 18259
 717-837-0000 • 1-800-867-0000
 FAX 717-837-0000

PART NAME: **IQ100FPP**
 DWG NO: **IQ280815**
 REV: **3**