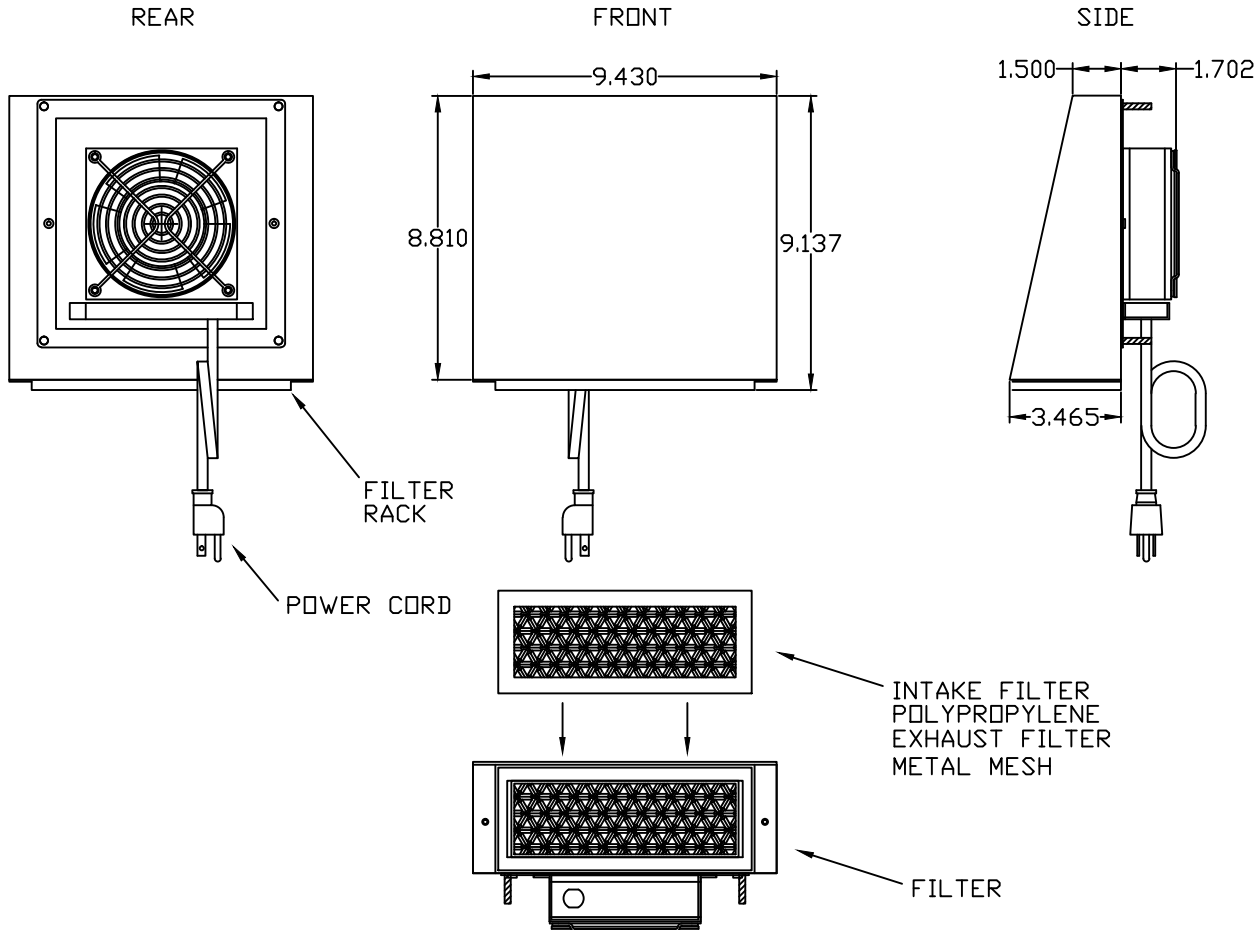
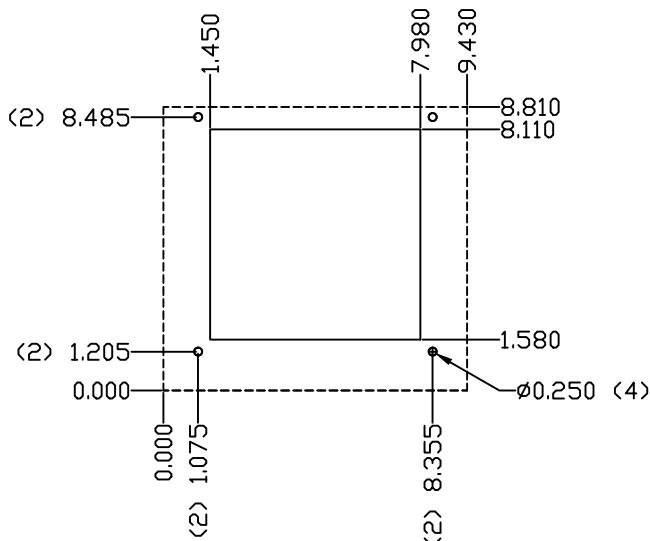


IQ100FP-H SPEC DRAWING

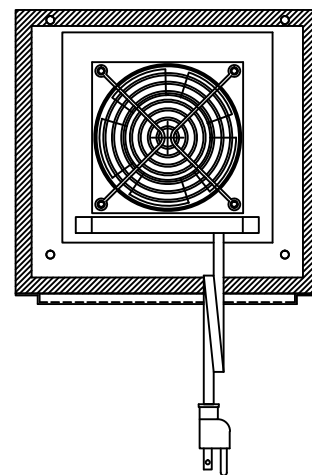
105/80 CFM FREE AIR @ 120/110 VAC 60/50 HZ
 PUSH-PULL : 210/160 CFM FREE AIR @ 120/110 VAC 60/50 HZ
 105/80 CFM FREE AIR @ 230/220 VAC 60/50 HZ
 PUSH-PULL : 210/160 CFM FREE AIR @ 230/220 VAC 60/50 HZ
 MAXIMUM AMPS : .14/.15 @ 120/110 VAC 60/50 HZ
 PUSH-PULL : MAXIMUM AMPS : .28/.30 @ 120/110 VAC 60/50 HZ
 MAXIMUM AMPS : .09/.10 @ 230/220 VAC 60/50 HZ
 PUSH-PULL : MAXIMUM AMPS : .18/.20 @ 230/220 VAC 60/50 HZ
 MAXIMUM OPERATING TEMPERATURE : 176°F



IQ100FP-H
 CUTOUT DRAWING



IQ100FP-H
 GASKET
 DRAWING



1	ADDED PUSH-PULL	6-12-17	RCC
0	INITIAL RELEASE	3-17-08	JJH
REV	DESCRIPTION	DATE	CHECKED
REVISIONS			

PROPRIETARY DRAWING
 THIS DRAWING IS THE PROPERTY OF ICE
 GUM, INC. AND IS NOT TO BE REPRODUCED
 OR ALTERED WITHOUT AUTHORIZATION OF
 ICE GUM, INC.

DRAWN	SCALE
JMH	NONE
DATE	5-17-08
SHEET 1 OF 1	

		<small>INDUSTRIAL GASKET EMPLOYMENT 345 VILSON AVENUE HENRIETTA, NY 14456 716-687-8888 • 1-800-947-8824 FAX 716-687-8888</small>	
PART NAME		IQ100FP-H	
DRAWING NO		IQ290330	
REV		1	