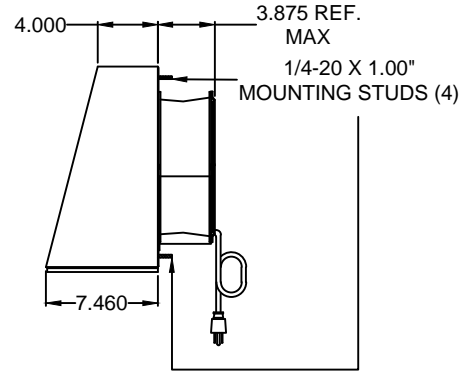
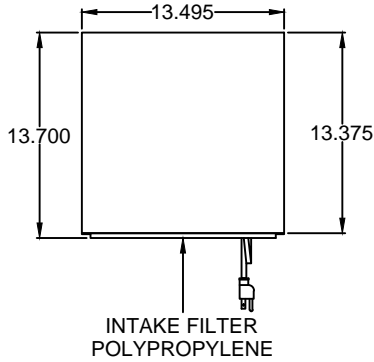
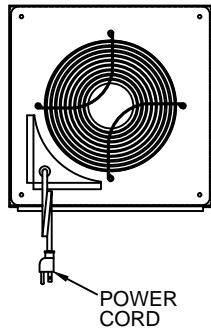


IQ800FP-H SPEC DRAWING

860/800 CFM FREE AIR @ 120/110 VAC 60/50 HZ
 PUSH-PULL : 1720/1600 CFM FREE AIR @ 120/110 VAC 60/50 HZ
 860/800 CFM FREE AIR @ 230/220 VAC 60/50 HZ
 PUSH-PULL : 1720/1600 CFM FREE AIR @ 230/220 VAC 60/50 HZ
 MAXIMUM AMPS : .98/1.08 @ 120/110 VAC 60/50 HZ
 PUSH-PULL : MAXIMUM AMPS : 1.96/2.16 @ 120/110 VAC 60/50 HZ
 MAXIMUM AMPS : .48/.53 @ 230/220 VAC 60/50 HZ
 PUSH-PULL : MAXIMUM AMPS : .96/1.06 @ 230/220 VAC 60/50 HZ
 MAXIMUM OPERATING TEMPERATURE : 158°F

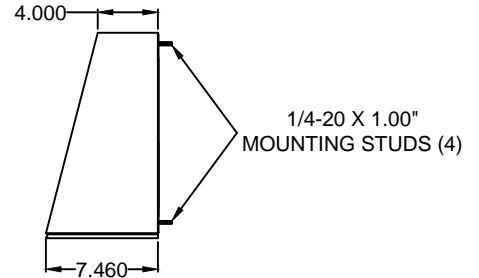
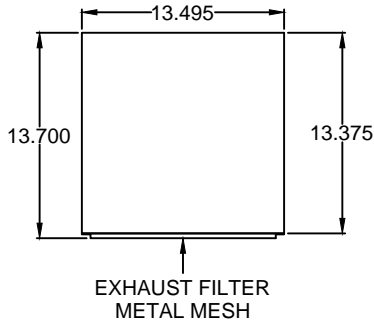
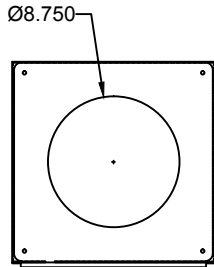
INTAKE

FRONT

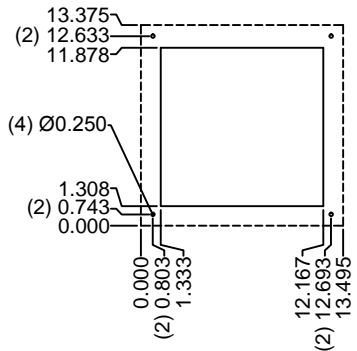


EXHAUST

FRONT

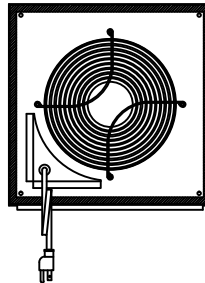


IQ800FP-H
 INTAKE AND EXHAUST
 CUTOUT DRAWING

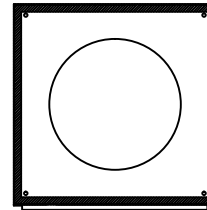


TWO CUTOUTS
 REQUIRED
 (1) INTAKE
 (1) EXHAUST

IQ800FP-H
 GASKET
 INTAKE



IQ800FP-H
 GASKET
 EXHAUST



2	ADDED PUSH-PULL	6-12-17	RCC
1	REDRAWN	6-26-16	JGG
0	INITIAL RELEASE	1-22-08	JMH
REV	DESCRIPTION	DATE	CHECKED
	REVISIONS		

PROPRIETARY DRAWING
 THIS DRAWING IS THE PROPERTY OF ICE
 EQUIPMENT AND IS NOT TO BE REPRODUCED
 OR ALTERED WITHOUT AUTHORIZATION OF
 ICE EQUIPMENT

DRAWN	JMH	SCALE	NONE
DATE	1-22-08		
SHEET 1 OF 1			

ICEcube <small>INDUSTRIAL COOLING EQUIPMENT</small> 141 WILSON AVENUE GREENSBURG, PA 15601 724.837.2647 • 1-800-868-4244 FAX 724.837-2646	PART NAME	IQ800FP-H
	DWG NO	IQ290331
	REV	2