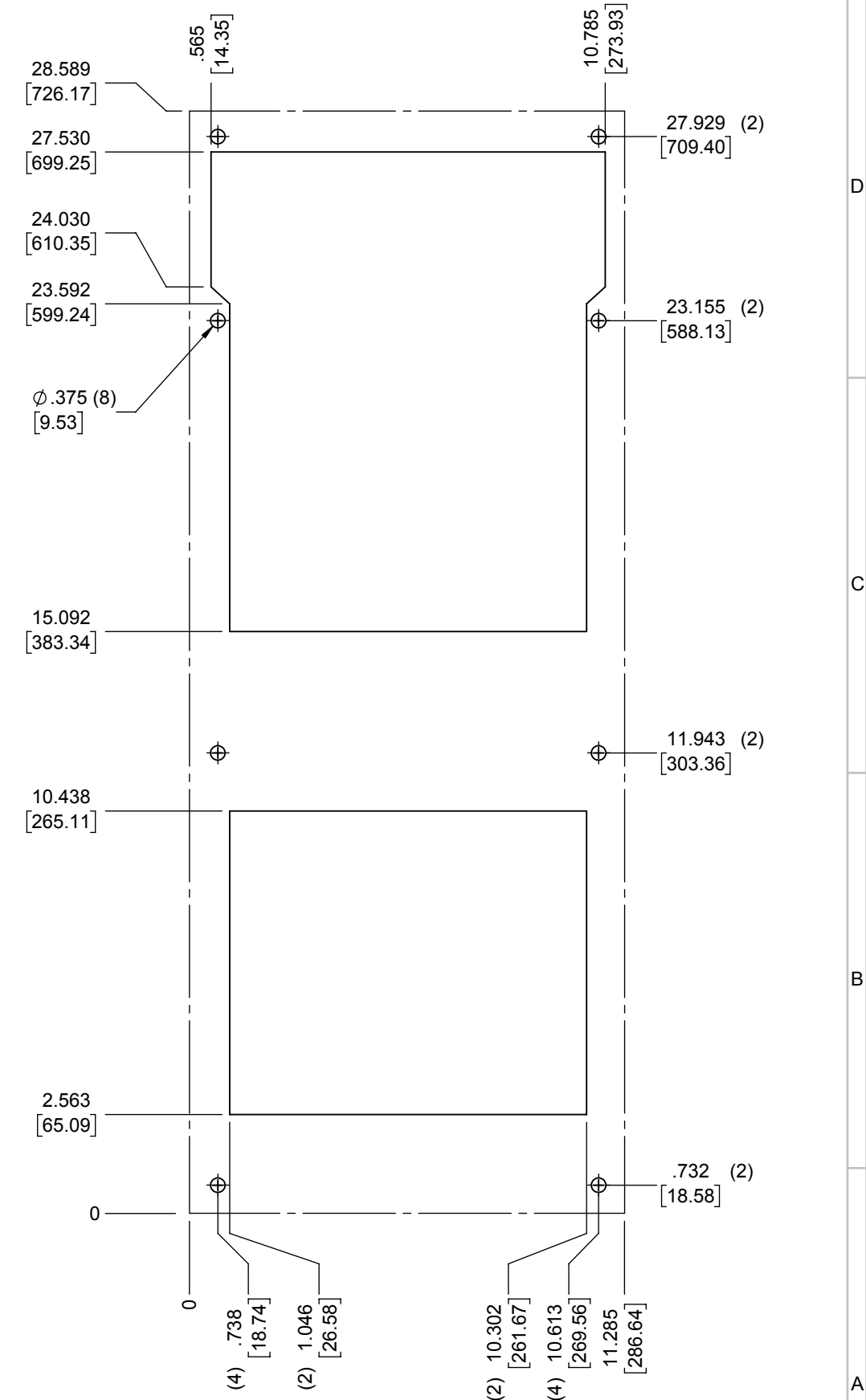


IMPORTANT
GASKET MUST BE APPLIED AS SHOWN FOR PROPER OPERATION AND TO MAINTAIN ENCLOSURE INTEGRITY



ITEM NUMBER N/A	USED ON IQ4000EV	UNLESS OTHERWISE SPECIFIED TOLERANCES X ±.060 XX ±.030 XXX ±.015	<p>ICE QUBE, INC. THIS IS A PROPRIETARY DOCUMENT. DO NOT REPRODUCE OR DISCLOSE WITHOUT THE EXPRESS WRITTEN PERMISSION OF ICE QUBE, INC.</p>
MATERIAL N/A		FRACTIONAL ±1/4 ANGULAR ±1/2°	
EST WT: DRAWN BY ART	DATE 1/20/2016	SCALE 1:4	DESCRIPTION IQ4000EV SPEC DRAWING
			DRAWING NUMBER IQ350927
			REV E