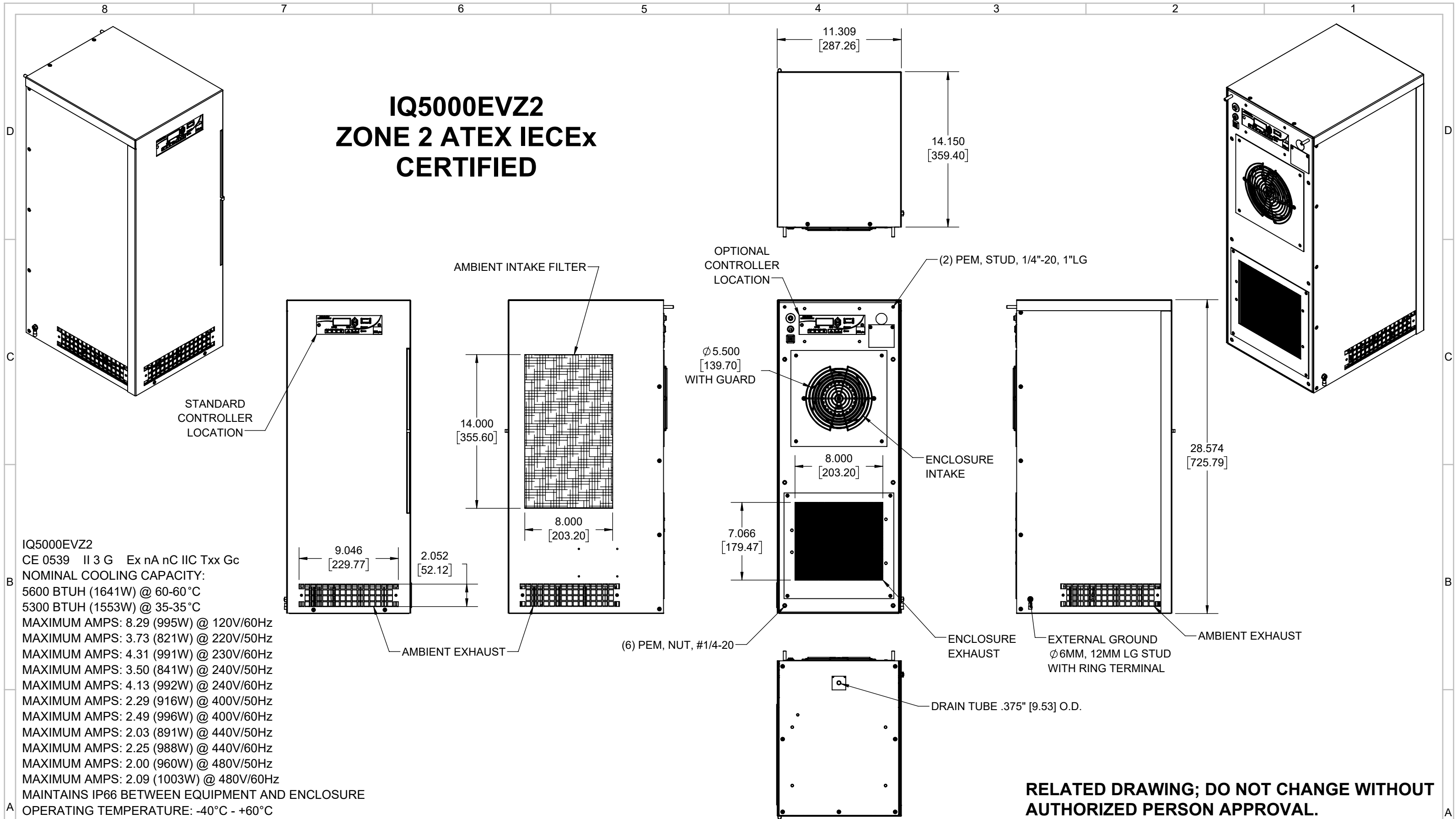


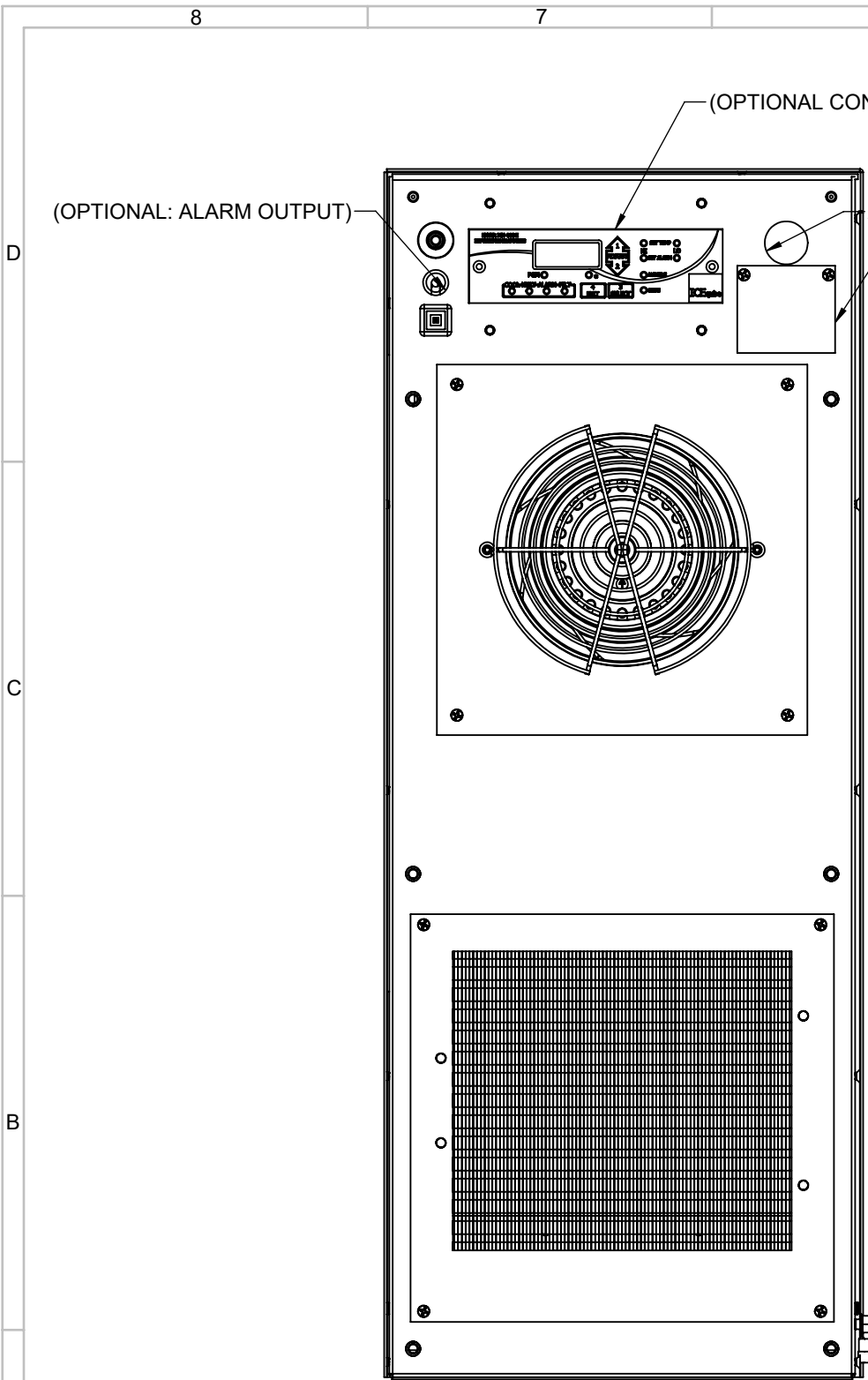
IQ5000EVZ2 ZONE 2 ATEX IECEx CERTIFIED



IQ5000EVZ2
 CE 0539 II 3 G Ex nA nC IIC Txx Gc
NOMINAL COOLING CAPACITY:
 5600 BTUH (1641W) @ 60-60°C
 5300 BTUH (1553W) @ 35-35°C
MAXIMUM AMPS: 8.29 (995W) @ 120V/60Hz
 3.73 (821W) @ 220V/50Hz
 4.31 (991W) @ 230V/60Hz
 3.50 (841W) @ 240V/50Hz
 4.13 (992W) @ 240V/60Hz
 2.29 (916W) @ 400V/50Hz
 2.49 (996W) @ 400V/60Hz
 2.03 (891W) @ 440V/50Hz
 2.25 (988W) @ 440V/60Hz
 2.00 (960W) @ 480V/50Hz
 2.09 (1003W) @ 480V/60Hz
MAINTAINS IP66 BETWEEN EQUIPMENT AND ENCLOSURE
OPERATING TEMPERATURE: -40°C - +60°C
T CODE: W/O CRANKCASE HEATER- T4
T CODE: W/ CRANKCASE HEATER- T3
DIMENSIONS: 28.584" (726MM) H x 11.309" (287MM) W x 14.150" (359MM) D
WEIGHT: 97.5 LBS (44.2KG) @ 120/220/230/240V
WEIGHT: 117.5 LBS (53.3KG) @ 400/440/480V
REFRIGERANT CHARGE: R134-A 24OZ (680G)

**RELATED DRAWING; DO NOT CHANGE WITHOUT
AUTHORIZED PERSON APPROVAL.**

ITEM NUMBER N/A				USED ON IQ5000EVZ2				UNLESS OTHERWISE SPECIFIED TOLERANCES .X ±.060 .XX ±.030 .XXX ±.015 FRACTIONAL ±1/16 ANGULAR ±1/2° SURFACE FINISH 63				ICE QUBE, INC. <small>THIS IS A PROPRIETARY DOCUMENT. DO NOT REPRODUCE OR DISCLOSE WITHOUT THE EXPRESS WRITTEN PERMISSION OF ICE QUBE, INC.</small>			
MATERIAL N/A				EST WT: lbs				DESCRIPTION IQ5000EVZ2 ZONE 2 ATEX IECEx SPEC DRAWING				DRAWING NUMBER IQ351246			
C ADDED CFM, dBA, 240V AND 440V 50/60HZ, AND CLEARANCE INFO				RCC 4/26/2018 JGG 5/11/2018 1347				EST WT: lbs				DATE 12-5-12 SCALE 1:8			
B ADDED METRIC VALUES				ART 1/10/2018 JGG 1/10/2018 1336				DRAWN BY JGG				REV C			
REV REVISION				CHG DATE APP DATE CN#				DO NOT SCALE DRAWING DIMENSIONS ARE INCHES				SHEET 1 of 2			

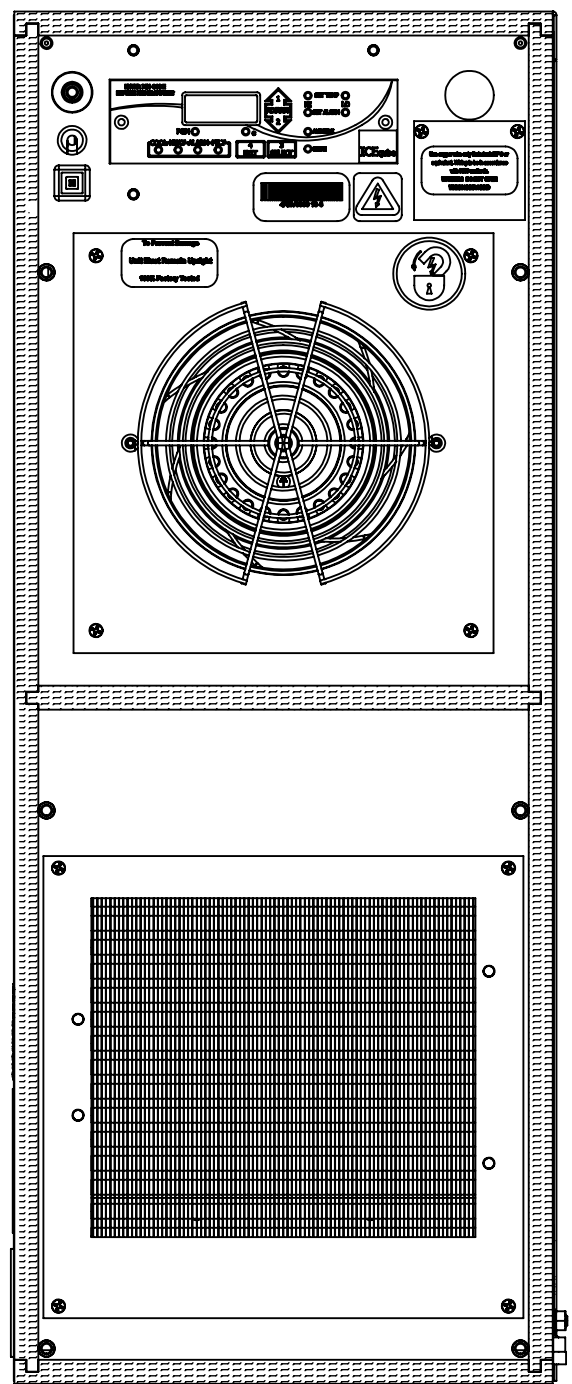


(OPTIONAL: ALARM OUTPUT)

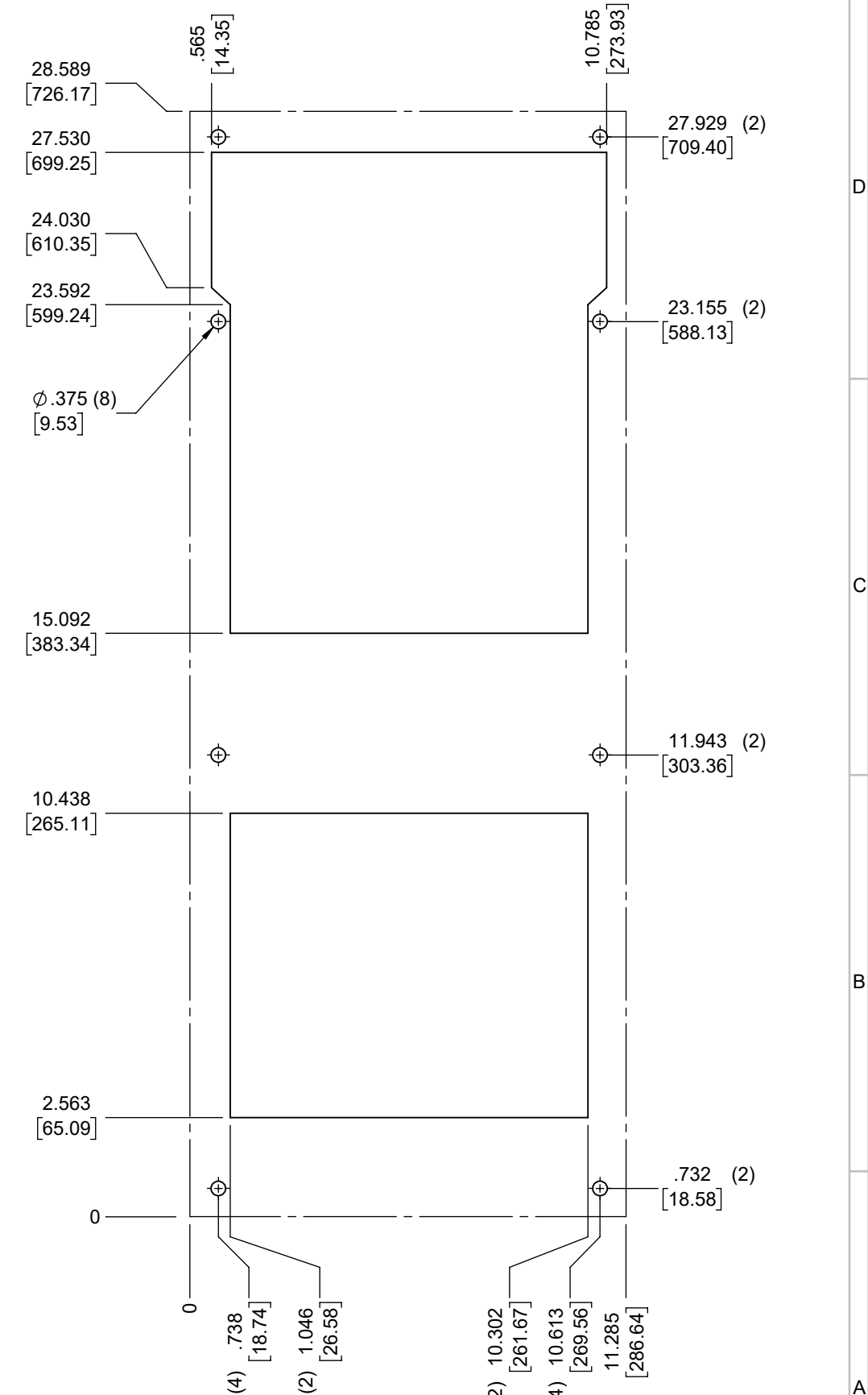
(OPTIONAL CONTROLLER LOCATION)

AC POWER INPUT

TERMINAL COVER



IMPORTANT
GASKET MUST BE APPLIED AS SHOWN FOR PROPER OPERATION AND TO MAINTAIN ENCLOSURE INTEGRITY



EVAP. OUTLET ≈ 360 CFM
 COND. OUTLET ≈ 510 CFM
 SOUND LEVEL @5FT FROM UNIT @ A HT. OF 3FT = 62 dBA
 SOUND LEVEL @2FT FROM UNIT @ A HT. OF 5FT = 65 dBA
 CONDENSER INLET MIN. CLEARANCE 2.54"

ITEM NUMBER N/A	USED ON IQ5000EVZ2	UNLESS OTHERWISE SPECIFIED TOLERANCES X ±.060 .XX ±.030 .XXX ±.015	<p>ICE QUBE, INC. <small>THIS IS A PROPRIETARY DOCUMENT. DO NOT REPRODUCE OR DISCLOSE WITHOUT THE EXPRESS WRITTEN PERMISSION OF ICE QUBE, INC.</small></p>
MATERIAL N/A		FRACTIONAL ±1/4 ANGULAR ±1/2°	
EST. WT.: lbs		SURFACE FINISH 63	DESCRIPTION IQ5000EVZ2 ZONE 2 ATEX IECEx SPEC DRAWING
DRAWN BY JGG	DATE 12-5-12	SCALE 1:4	DRAWING NUMBER IQ351246
		DO NOT SCALE DRAWING DIMENSIONS ARE INCHES	REV C