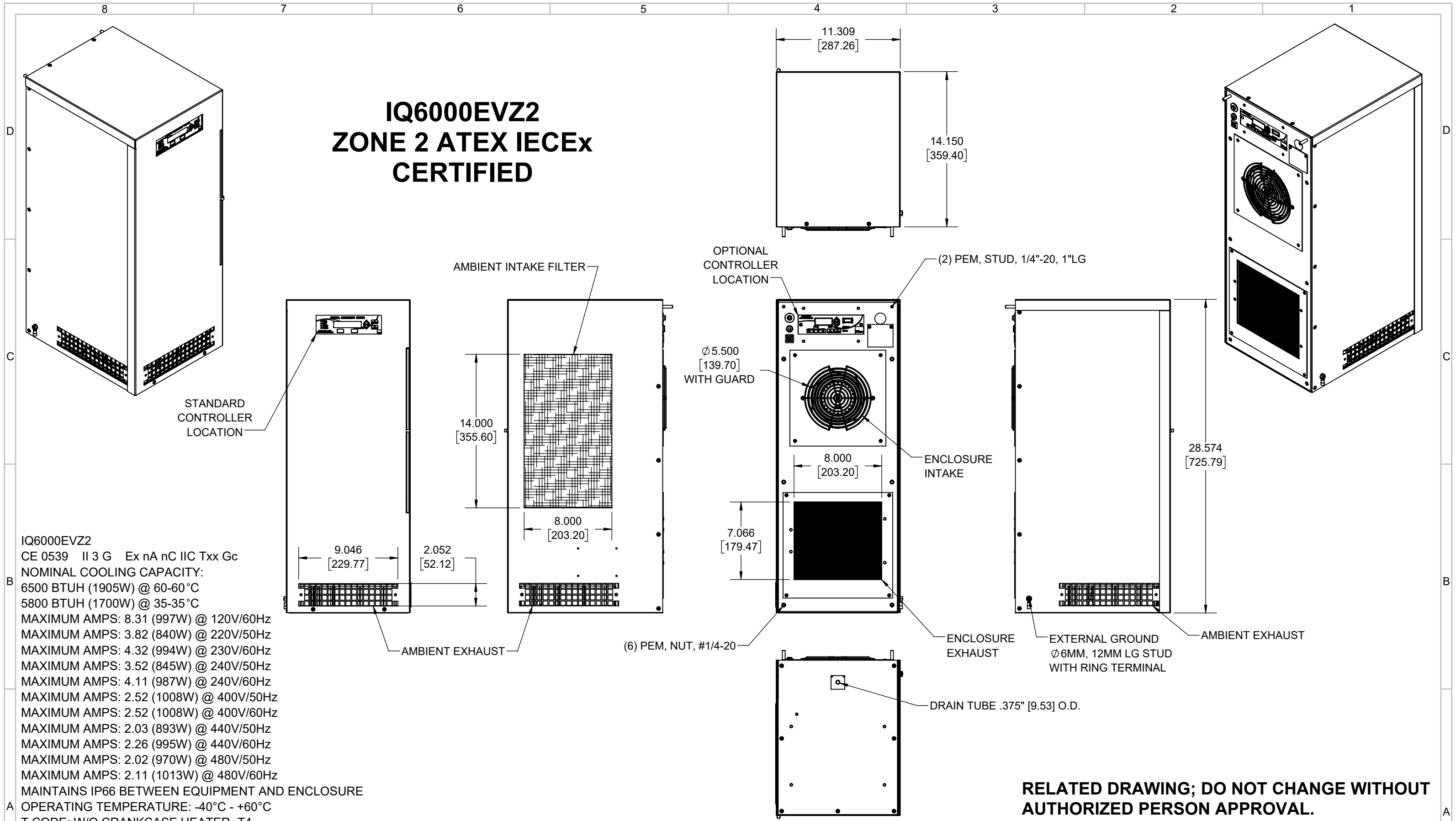


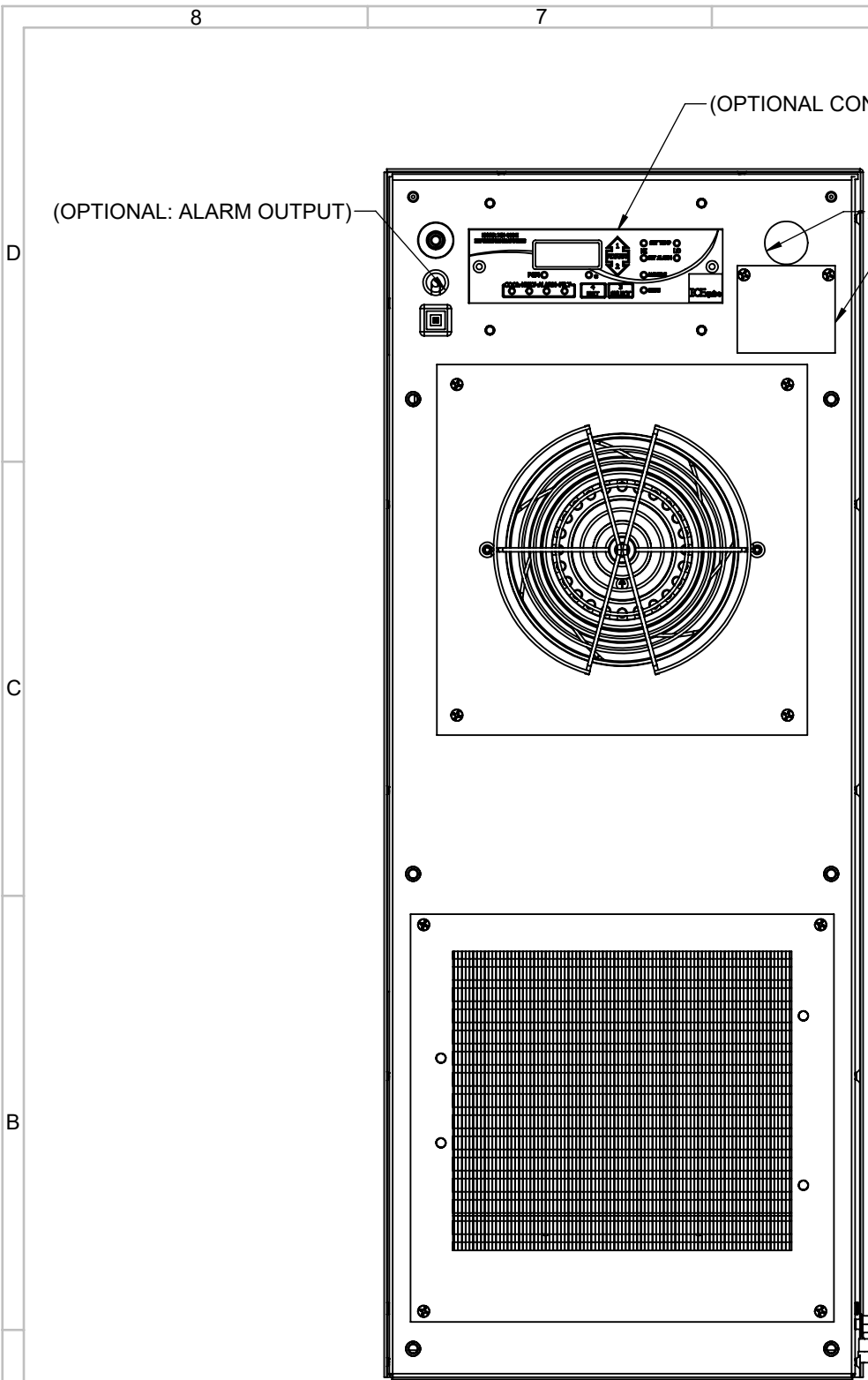
IQ6000EVZ2 ZONE 2 ATEX IECEx CERTIFIED



IQ6000EVZ2
 CE 0539 II 3 G Ex nA nC IIC Txx Gc
NOMINAL COOLING CAPACITY:
 6500 BTUH (1905W) @ 60-60°C
 5800 BTUH (1700W) @ 35-35°C
MAXIMUM AMPS: 8.31 (997W) @ 120V/60Hz
 3.82 (840W) @ 220V/50Hz
 4.32 (994W) @ 230V/60Hz
 3.52 (845W) @ 240V/50Hz
 4.11 (987W) @ 240V/60Hz
 2.52 (1008W) @ 400V/50Hz
 2.52 (1008W) @ 400V/60Hz
 2.03 (893W) @ 440V/50Hz
 2.26 (995W) @ 440V/60Hz
 2.02 (970W) @ 480V/50Hz
 2.11 (1013W) @ 480V/60Hz
 MAINTAINS IP66 BETWEEN EQUIPMENT AND ENCLOSURE
 OPERATING TEMPERATURE: -40°C - +60°C
 T CODE: W/O CRANKCASE HEATER- T4
 T CODE: W/ CRANKCASE HEATER- T3
DIMENSIONS: 28.584" (726MM) H x 11.309" (287MM) W x 14.150" (359MM) D
WEIGHT: 97.5 LBS (44.2KG) @ 120/220/230/240V
 117.5 LBS (53.3KG) @ 400/440/480V
REFRIGERANT CHARGE: R134-A 28OZ (794G)

**RELATED DRAWING; DO NOT CHANGE WITHOUT
AUTHORIZED PERSON APPROVAL.**

ITEM NUMBER <i>N/A</i>		USED ON <i>IQ6000EVZ2</i>		UNLESS OTHERWISE SPECIFIED TOLERANCES		<p style="font-size: small;">THIS IS A PROPRIETARY DOCUMENT. DO NOT REPRODUCE OR DISCLOSE WITHOUT THE EXPRESS WRITTEN PERMISSION OF ICE QUBE, INC.</p>
MATERIAL <i>N/A</i>				.X ±.060 .XX ±.030 .XXX ±.015 FRACTIONAL ±1/16 ANGULAR ±1/2° SURFACE FINISH 63		
EST WT: lbs		DRAWN BY <i>JGG</i>		DATE <i>12-5-16</i>		DESCRIPTION IQ6000EVZ2 ZONE 2 ATEX IECEx SPEC DRAWING DRAWING NUMBER <i>IQ351247</i>
SCALE <i>1:8</i>		DATE <i>12-5-16</i>		SCALE <i>1:8</i>		
REV		CHG		DATE		REV
C		ADDED CFM, dBA, 240V AND 440V 50/60HZ, AND CLEARANCE INFO		RCC		4/26/2018
B		ADDED METRIC VALUES		ART		1/10/2018
		REVISION		APP		1/10/2018
				CN #		1347

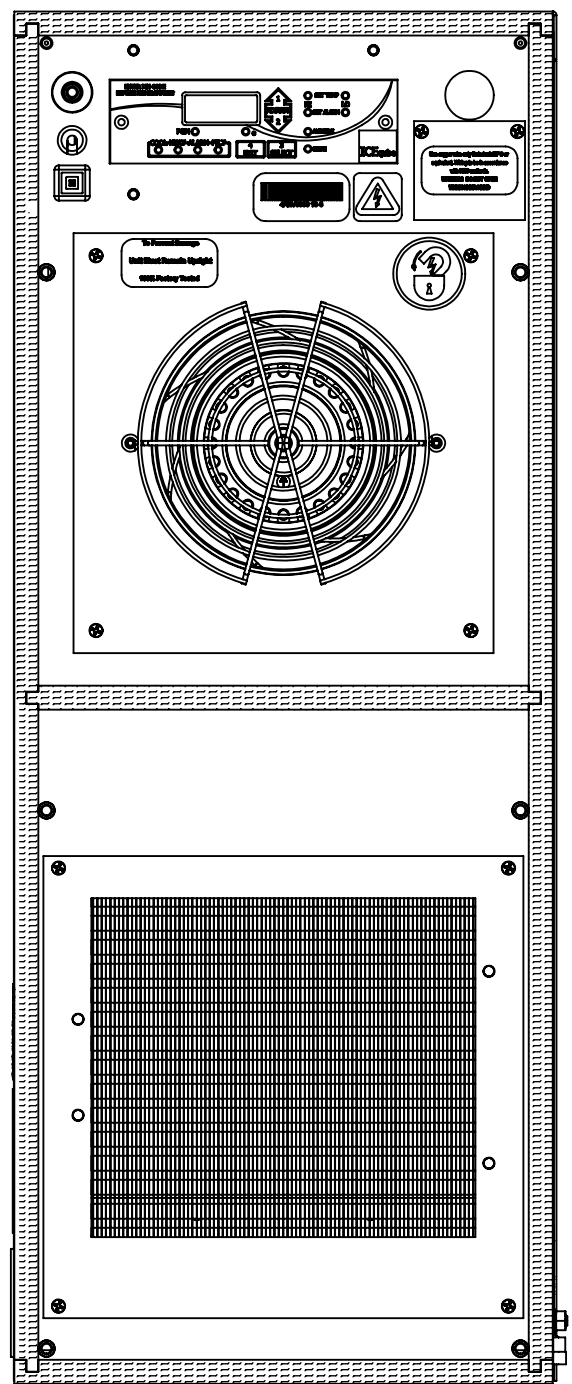


(OPTIONAL: ALARM OUTPUT)

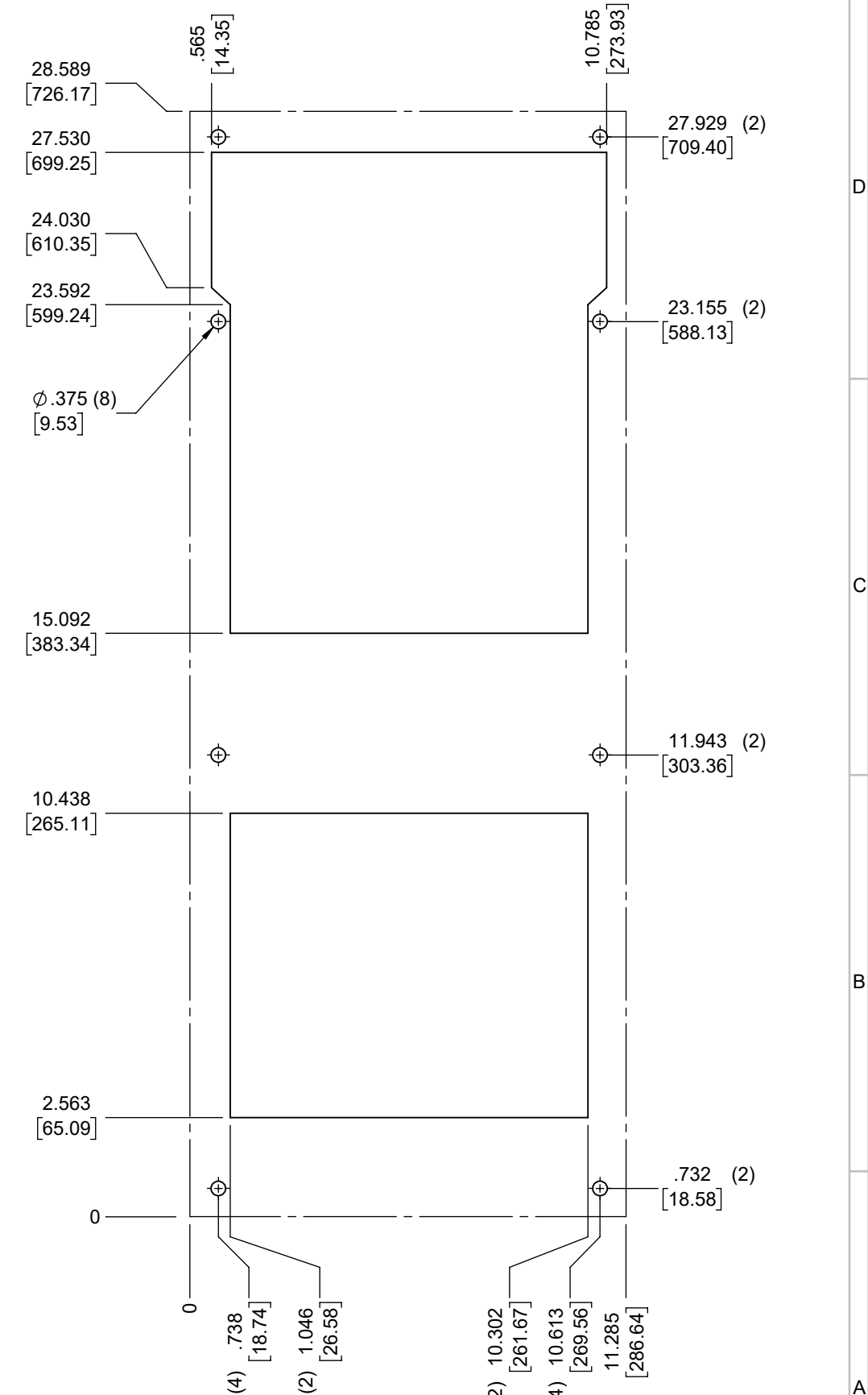
(OPTIONAL CONTROLLER LOCATION)

AC POWER INPUT

TERMINAL COVER



IMPORTANT
GASKET MUST BE APPLIED AS SHOWN FOR PROPER OPERATION AND TO MAINTAIN ENCLOSURE INTEGRITY



EVAP. OUTLET ≈ 360 CFM
 COND. OUTLET ≈ 510 CFM
 SOUND LEVEL @5FT FROM UNIT @ A HT. OF 3FT = 62 dBA
 SOUND LEVEL @2FT FROM UNIT @ A HT. OF 5FT = 65 dBA
 CONDENSER INLET MIN. CLEARANCE 2.54"

ITEM NUMBER N/A	USED ON IQ6000EVZ2	UNLESS OTHERWISE SPECIFIED TOLERANCES X ±.060 .XX ±.030 .XXX ±.015 FRACTIONAL ±1/4 ANGULAR ±1/2°	<p>ICE QUBE, INC. <small>THIS IS A PROPRIETARY DOCUMENT. DO NOT REPRODUCE OR DISCLOSE WITHOUT THE EXPRESS WRITTEN PERMISSION OF ICE QUBE, INC.</small></p>
MATERIAL N/A		<p>EST. WT. lbs</p> <p>DRAWN BY: JGG DATE: 12-5-16 SCALE: 1:4</p> <p>SURFACE FINISH: 63</p> <p>DO NOT SCALE DRAWING DIMENSIONS ARE INCHES</p>	
DESCRIPTION IQ6000EVZ2 ZONE 2 ATEX IECEx SPEC DRAWING			DRAWING NUMBER IQ351247
REV			C