

IQ8000EVZ2 ZONE 2 ATEX IECEx CERTIFIED

STANDARD
CONTROLLER
LOCATION

AMBIENT INTAKE FILTER

(2) PEM, STUD, 1/4"-20, 1"LG

OPTIONAL
CONTROLLER
LOCATION

Ø 6.625
[168.28]
WITH GUARD

ENCLOSURE
INTAKE

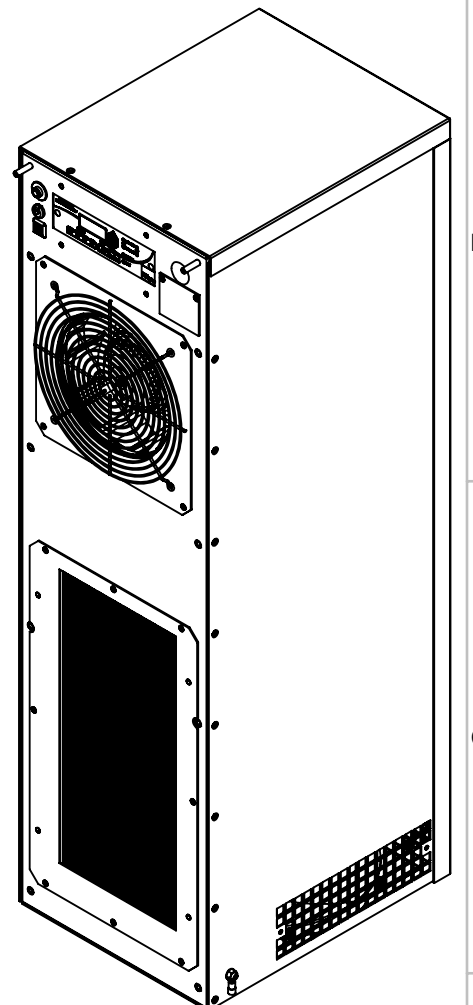
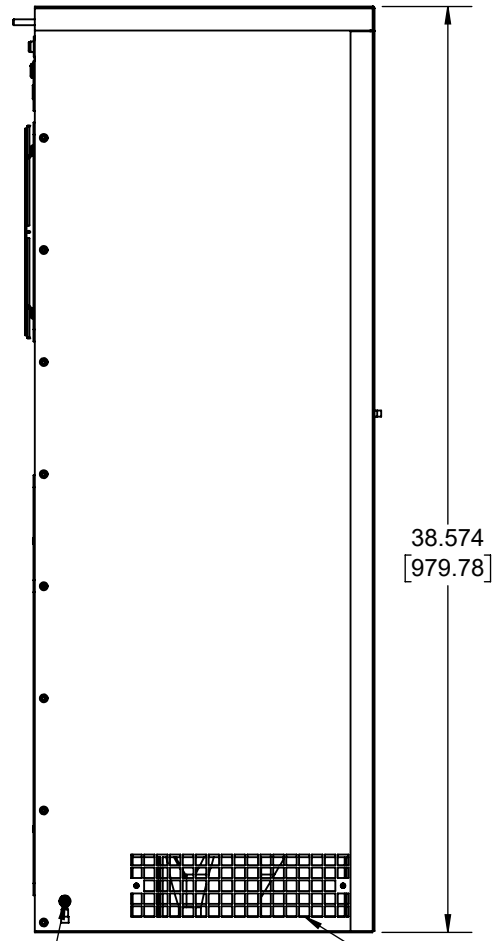
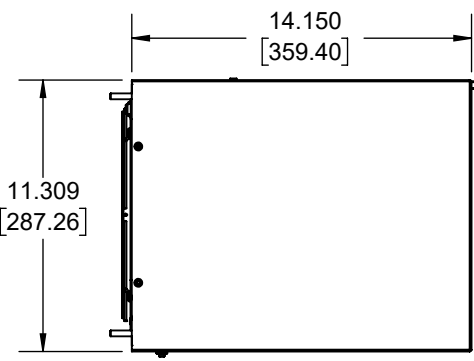
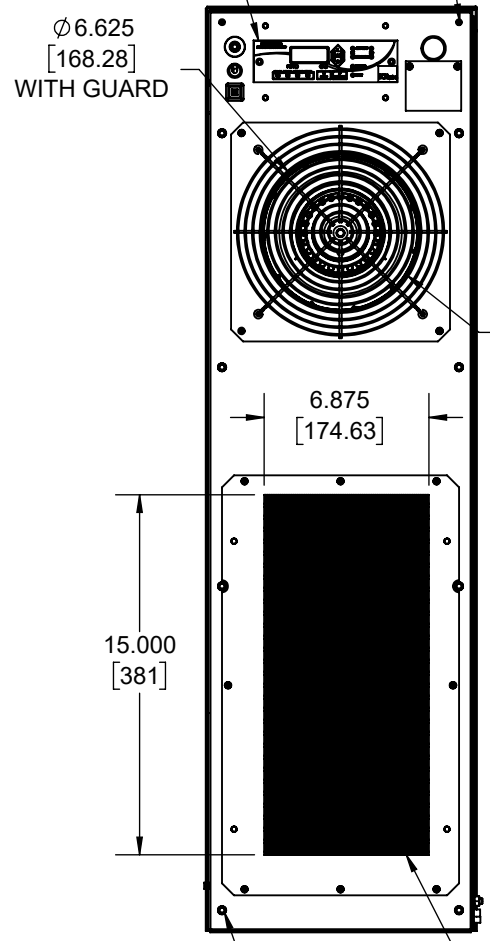
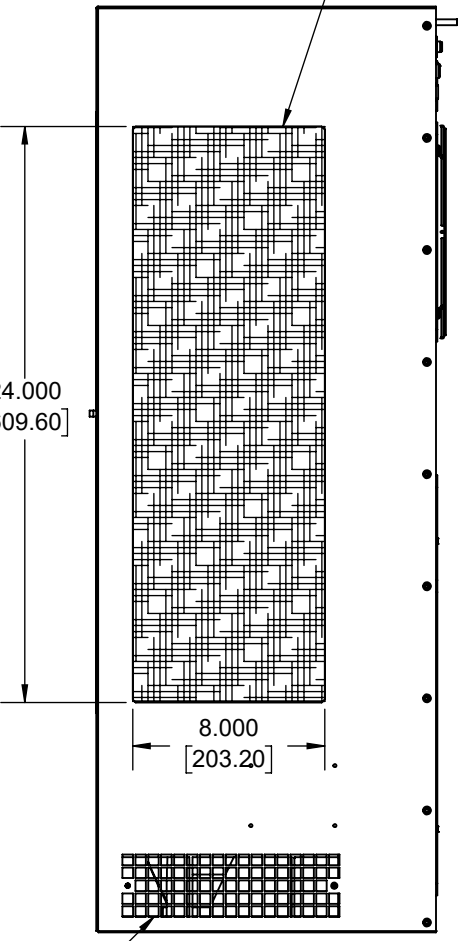
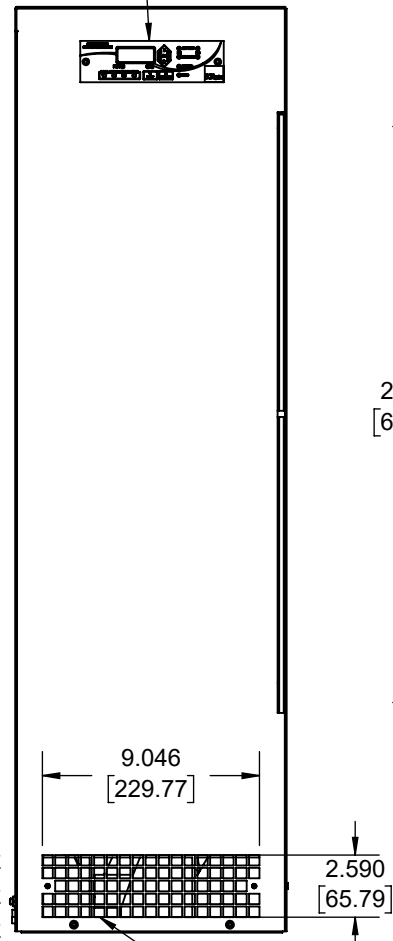
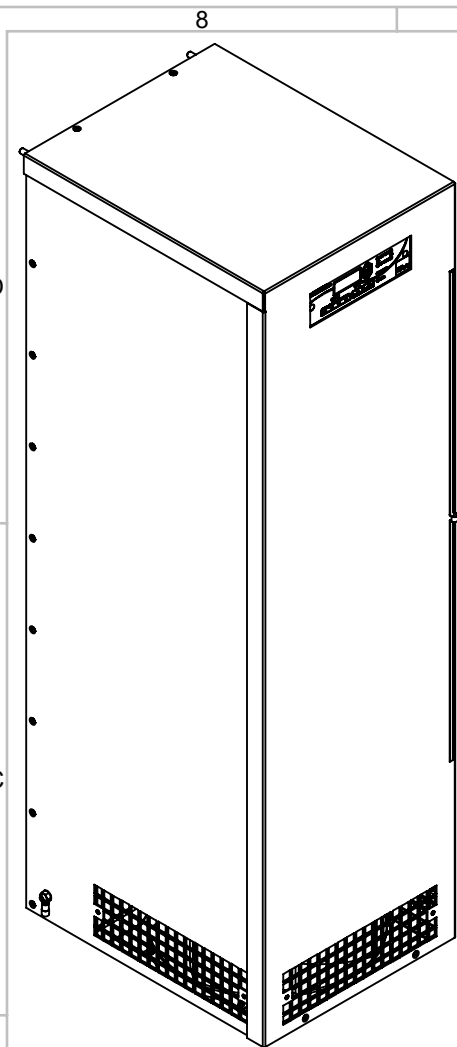
ENCLOSURE
EXHAUST

EXTERNAL GROUND
Ø 6MM, 12MM LG STUD
WITH RING TERMINAL

AMBIENT EXHAUST

(8) PEM, NUT, #1/4-20

DRAIN TUBE .375" [9.53] O.D.



IQ8000EVZ2
 CE 0539 II 3 G Ex nA nC IIC Txx Gc
 NOMINAL COOLING CAPACITY:
 8413 BTUH (2466W) @ 60°C-60°C
 7711 BTUH (2260W) @ 35°C-35°C
 MAXIMUM AMPS: 15.10 (1812W) @ 120V/60Hz
 MAXIMUM AMPS: 6.50 (1430W) @ 220V/50Hz
 MAXIMUM AMPS: 7.70 (1771W) @ 230V/60Hz
 MAXIMUM AMPS: 6.96 (1670W) @ 240V/50Hz
 MAXIMUM AMPS: 7.17 (1721W) @ 240V/60Hz
 MAXIMUM AMPS: 4.20 (1680W) @ 400V/50Hz
 MAXIMUM AMPS: 4.21 (1684W) @ 400V/60Hz
 MAXIMUM AMPS: 3.74 (1644W) @ 440V/50Hz
 MAXIMUM AMPS: 3.98 (1750W) @ 440V/60Hz
 MAXIMUM AMPS: 3.80 (1824W) @ 480V/50Hz
 MAXIMUM AMPS: 3.60 (1728W) @ 480V/60Hz
 MAINTAINS IP66 BETWEEN EQUIPMENT AND ENCLOSURE
 OPERATING TEMPERATURE: -40°C - +60°C
 T CODE: W/O CRANKCASE HEATER- T4
 T CODE: W/ CRANKCASE HEATER- T3
 DIMENSIONS: 38.584" (980MM) H x 11.309" (287MM) W x 14.150" (359MM) D
 WEIGHT: 126 LBS (57.1KG) @ 120/220/230/240V
 WEIGHT: 150 LBS (68.0KG) @ 400/440/480V
 REFRIGERANT CHARGE: R407C 2LB 4OZ (1021G)

9.046
[229.77]

24.000
[609.60]

8.000
[203.20]

15.000
[381]

6.875
[174.63]

38.574
[979.78]

2.590
[65.79]

11.309
[287.26]

14.150
[359.40]

Ø 6MM, 12MM LG STUD
WITH RING TERMINAL

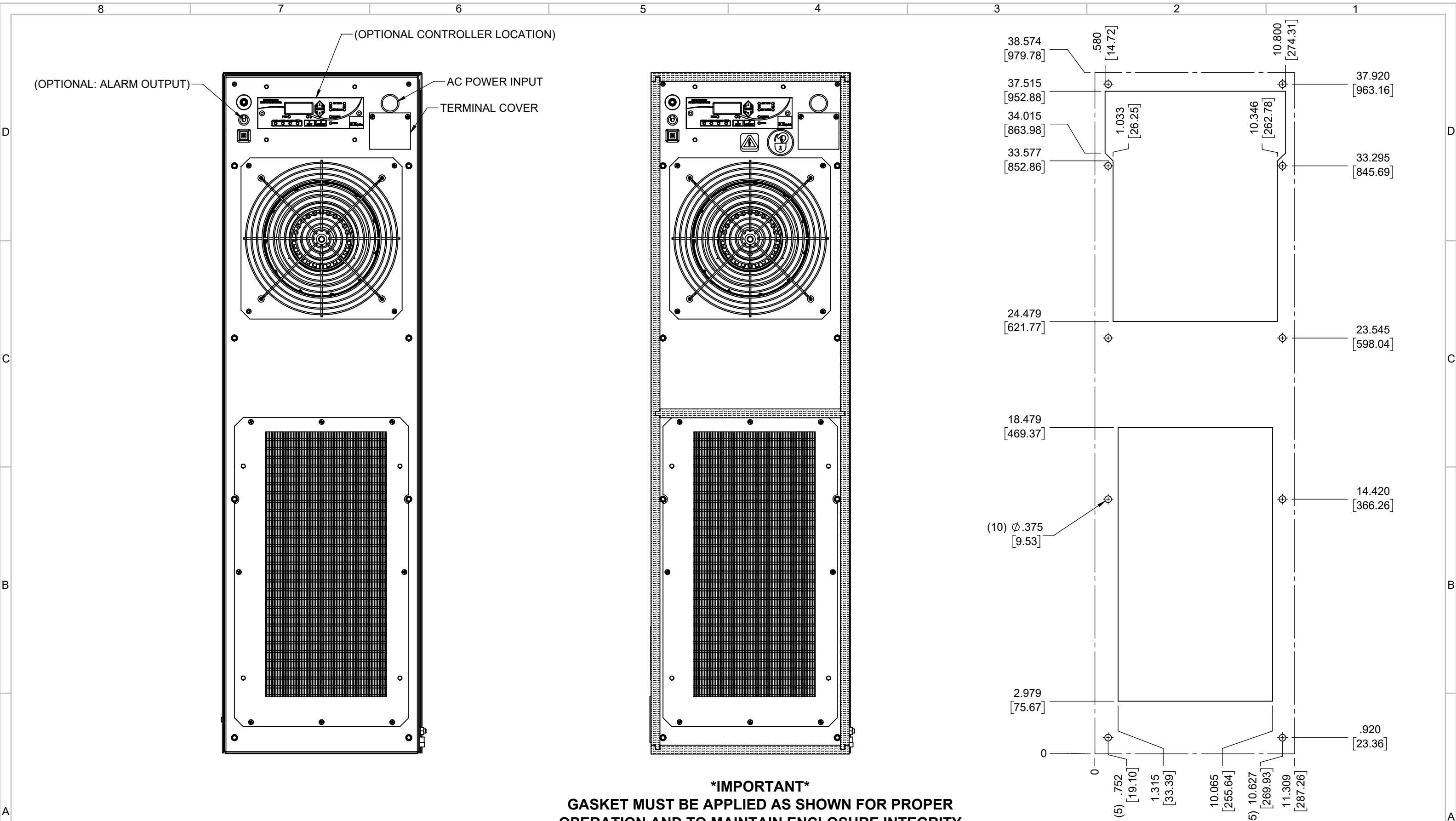
**RELATED DRAWING; DO NOT CHANGE WITHOUT
AUTHORIZED PERSON APPROVAL.**

| | | | | | | |
|-----|---|-----|-----------|-----|-----------|------|
| C | ADDED CFM, dBA, 240V AND 440V 50/60HZ, AND CLEARANCE INFO | RCC | 4/26/2018 | JGG | 4/26/2018 | 1347 |
| B | ADDED METRIC VALUES | ART | 1/10/2018 | JGG | 1/10/2018 | 1336 |
| REV | REVISION | CHG | DATE | APP | DATE | CN # |

| | |
|--------------------|-----------------------|
| ITEM NUMBER N/A | USED ON IQ8000EVZ2 |
| MATERIAL N/A | |
| EST WT: lbs | |
| DRAWN BY ART | DATE 1/19/2017 |
| | SCALE 1:8 |

| |
|--|
| UNLESS OTHERWISE SPECIFIED TOLERANCES |
| .X ±.060 |
| .XX ±.030 |
| .XXX ±.015 |
| FRACTIONAL ±1/16 |
| ANGULAR ±1/2° |
| SURFACE FINISH 63 |
| DO NOT SCALE DRAWING DIMENSIONS ARE INCHES |

ICE QUBE, INC.
THIS IS A PROPRIETARY DOCUMENT. DO NOT REPRODUCE OR DISCLOSE WITHOUT THE EXPRESS WRITTEN PERMISSION OF ICE QUBE, INC.
 DESCRIPTION
IQ8000EVZ2 ZONE 2 ATEX IECEx SPEC DRAWING
 DRAWING NUMBER
IQ351311
 REV
C



IMPORTANT
GASKET MUST BE APPLIED AS SHOWN FOR PROPER OPERATION AND TO MAINTAIN ENCLOSURE INTEGRITY

EVAP. OUTLET \approx 510 CFM
 COND. OUTLET \approx 800 CFM
 SOUND LEVEL @5FT FROM UNIT @ A HT. OF 3FT = 68 dBA
 SOUND LEVEL @2FT FROM UNIT @ A HT. OF 5FT = 70 dBA
 CONDENSER INLET MIN. CLEARANCE 3.00"

| | | | |
|--------------------|-----------------------|--|---|
| ITEM NUMBER N/A | USED ON IQ8000EVZ2 | UNLESS OTHERWISE SPECIFIED TOLERANCES X \pm .060 XX \pm .030 XXX \pm .015 FRACTIONAL \pm 1/4 ANGULAR \pm 1/2° | <p>ICE QUBE, INC. <small>THIS IS A PROPRIETARY DOCUMENT. DO NOT REPRODUCE OR DISCLOSE WITHOUT THE EXPRESS WRITTEN PERMISSION OF ICE QUBE, INC.</small></p> |
| MATERIAL N/A | | DESCRIPTION IQ8000EVZ2 ZONE 2 ATEX IECEX SPEC DRAWING | |
| EST WT: lbs | | SURFACE FINISH 63 | DRAWING NUMBER IQ351311 |
| DRAWN BY ART | DATE 1/19/2017 | SCALE 1:5 | REV C |