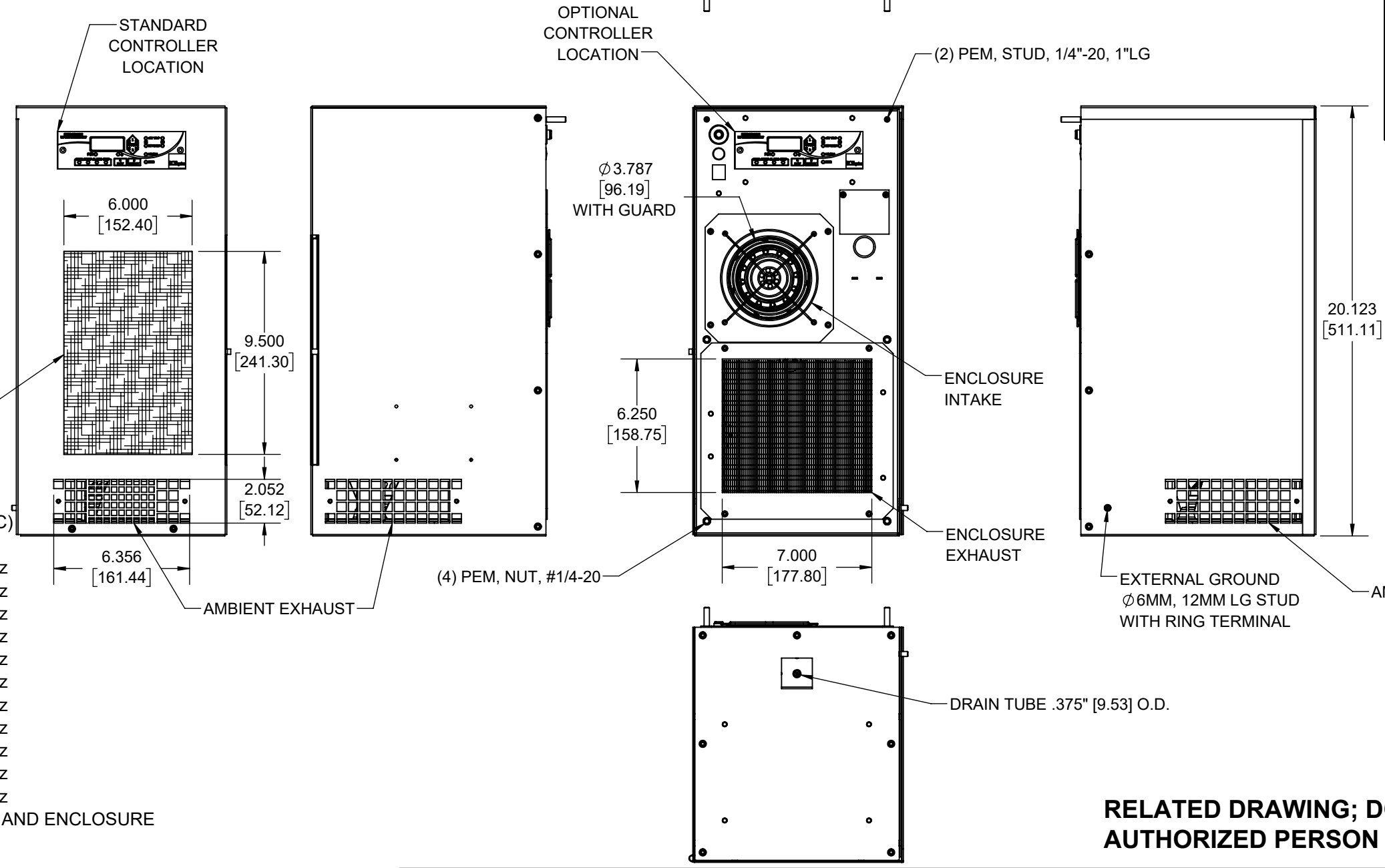
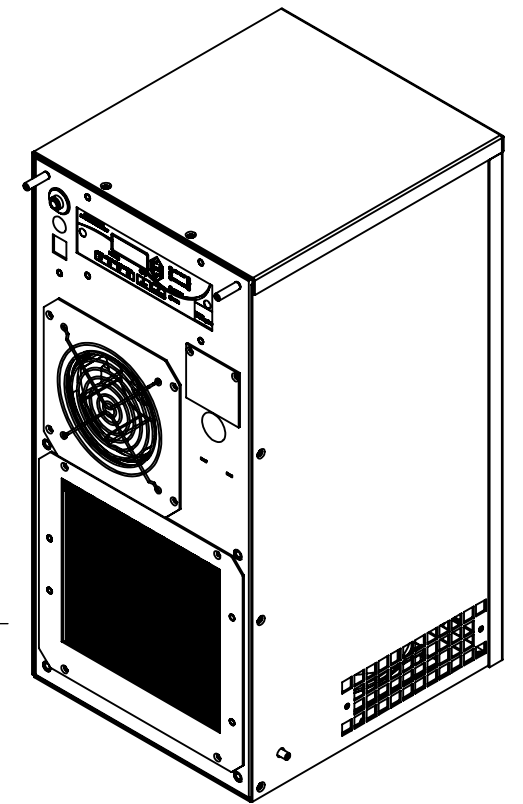
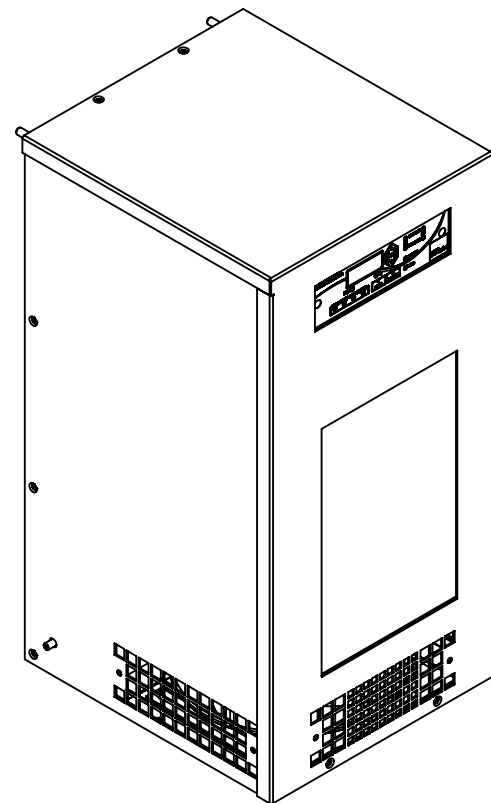


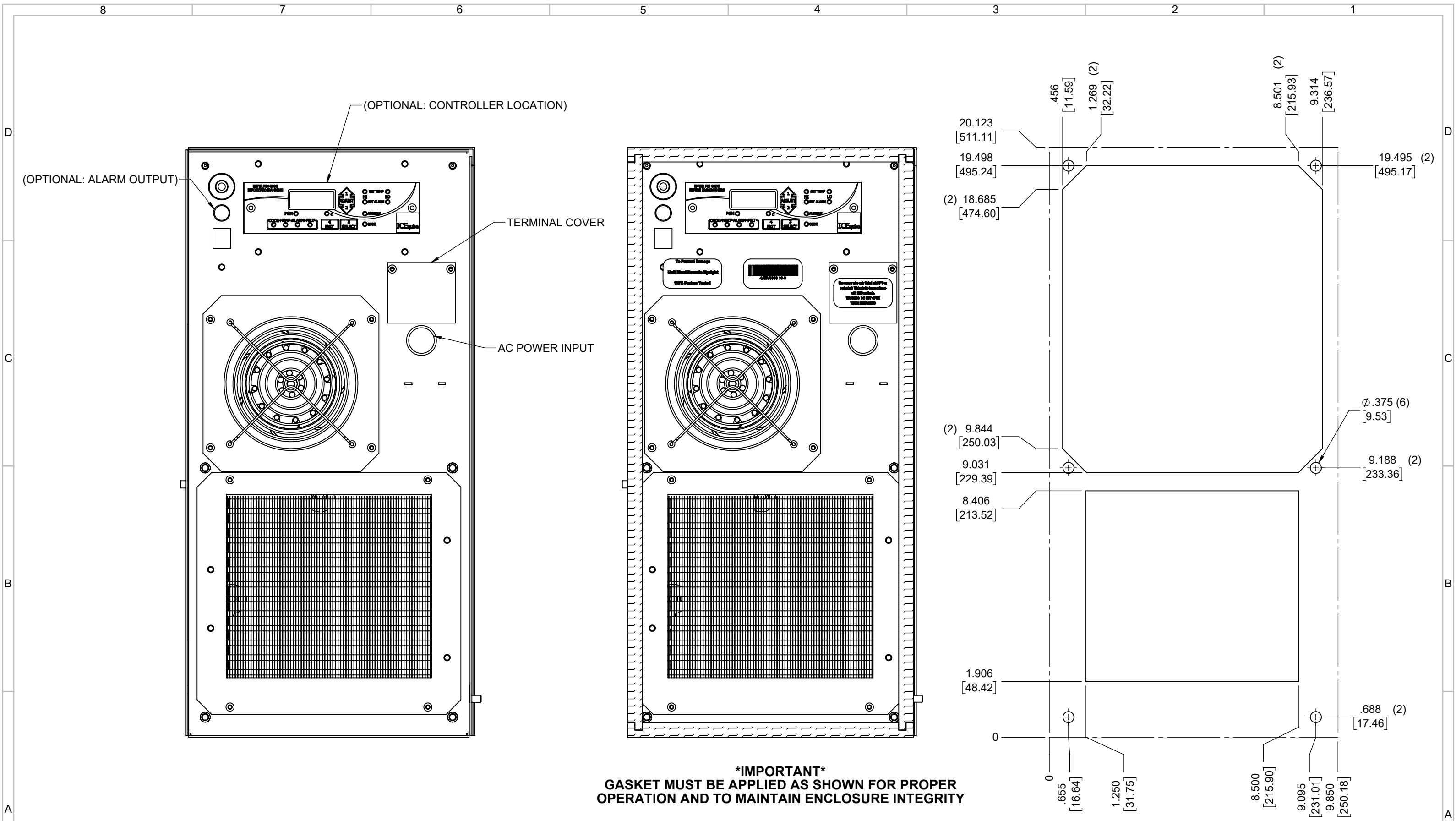
IQ1000EVZ2 ZONE 2 ATEX IECEx CERTIFIED



IQ1000EVZ2
 CE 0539 II 3 G Ex nA nC IIC Txx Gc
NOMINAL COOLING CAPACITY:
 1322 BTUH (387W) @ 140-140°F (60°C-60°C)
 1600 BTUH (469W) @ 95-95°F (35°C-35°C)
 MAXIMUM AMPS: 4.36 (523W) @ 120V/60Hz
 MAXIMUM AMPS: 2.69 (592W) @ 220V/50Hz
 MAXIMUM AMPS: 2.60 (598W) @ 230V/60Hz
 MAXIMUM AMPS: 2.09 (501W) @ 240V/50Hz
 MAXIMUM AMPS: 2.02 (486W) @ 240V/60Hz
 MAXIMUM AMPS: 1.32 (528W) @ 400V/50Hz
 MAXIMUM AMPS: 0.90 (360W) @ 400V/60Hz
 MAXIMUM AMPS: 0.91 (399W) @ 440V/50Hz
 MAXIMUM AMPS: 0.85 (375W) @ 440V/60Hz
 MAXIMUM AMPS: 0.58 (278W) @ 480V/50Hz
 MAXIMUM AMPS: 0.60 (288W) @ 480V/60Hz
 MAINTAINS IPP66 BETWEEN EQUIPMENT AND ENCLOSURE
 OPERATING TEMPERATURE: -40° - +60°C
 T CODE: W/O CRANKCASE HEATER- T6
 T CODE: W/ CRANKCASE HEATER- T5
 DIMENSIONS: 20.123" (511MM) H x 9.850" (250MM) W x 11.000" (279MM) D
 WEIGHT: 57.5 LBS (26.1KG) @ 120/220/230/240V
 WEIGHT: 72.5 LBS (32.9KG) @ 400/440/480V
 REFRIGERANT CHARGE: R134-A 7OZ (198G)

**RELATED DRAWING; DO NOT CHANGE WITHOUT
AUTHORIZED PERSON APPROVAL.**

ITEM NUMBER <i>N/A</i>		USED ON <i>IQ1000EVZ2</i>		UNLESS OTHERWISE SPECIFIED TOLERANCES		 THIS IS A PROPRIETARY DOCUMENT. DO NOT REPRODUCE OR DISCLOSE WITHOUT THE EXPRESS WRITTEN PERMISSION OF ICE QUBE, INC. DESCRIPTION IQ1000EVZ2 ZONE 2 ATEX IECEx SPEC DRAWING DRAWING NUMBER IQ351468
MATERIAL <i>N/A</i>				X ±.060 .XX ±.030 .XXX ±.015 FRACTIONAL ±1/16 ANGULAR ±1/2° SURFACE FINISH 63		
EST WT: lbs		DRAWN BY <i>ART</i>		DATE <i>11/6/2017</i>		SCALE <i>1:6</i>
B ADDED CFM, dBA, 240V AND 440V 50/60HZ, AND CLEARANCE INFO		RCC	4/26/2018	JGG	4/26/2018	1347
A PRODUCTION RELEASE		ART	11/6/2017	JGG	11/6/2017	1331
REV REVISION		CHG	DATE	APP	DATE	CN#



(OPTIONAL: ALARM OUTPUT)

(OPTIONAL: CONTROLLER LOCATION)

TERMINAL COVER

AC POWER INPUT

IMPORTANT
GASKET MUST BE APPLIED AS SHOWN FOR PROPER OPERATION AND TO MAINTAIN ENCLOSURE INTEGRITY

EVAP. OUTLET ≈ 175 CFM
 COND. OUTLET ≈ 350 CFM
 SOUND LEVEL @5FT FROM UNIT @ A HT. OF 3FT = 64 dBA
 SOUND LEVEL @2FT FROM UNIT @ A HT. OF 5FT = 68 dBA
 CONDENSER INLET MIN. CLEARANCE 1.84"

ITEM NUMBER N/A	USED ON IQ1000EVZ2	UNLESS OTHERWISE SPECIFIED TOLERANCES X ±.060 XX ±.030 XXX ±.015 FRACTIONAL ±1/4 ANGULAR ±1/2°	<p>ICE QUBE, INC. <small>THIS IS A PROPRIETARY DOCUMENT. DO NOT REPRODUCE OR DISCLOSE WITHOUT THE EXPRESS WRITTEN PERMISSION OF ICE QUBE, INC.</small></p>
MATERIAL N/A		<p>EST. WT: lbs</p> <p>DRAWN BY: ART DATE: 11/6/2017 SCALE: 1:3</p> <p>DO NOT SCALE DRAWING DIMENSIONS ARE INCHES</p>	
<p>DESCRIPTION IQ1000EVZ2 ZONE 2 ATEX IECEx SPEC DRAWING</p>			<p>DRAWING NUMBER IQ351468</p>
			<p>REV B</p>