

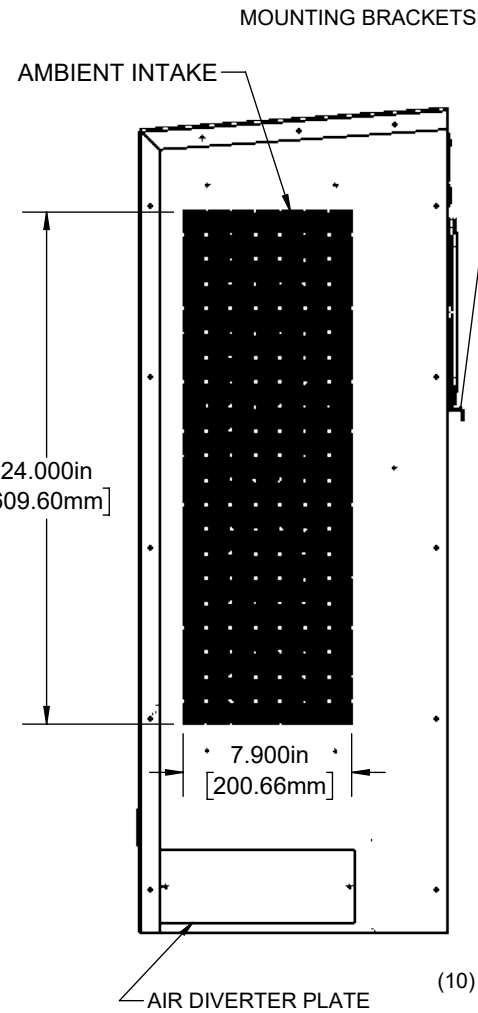
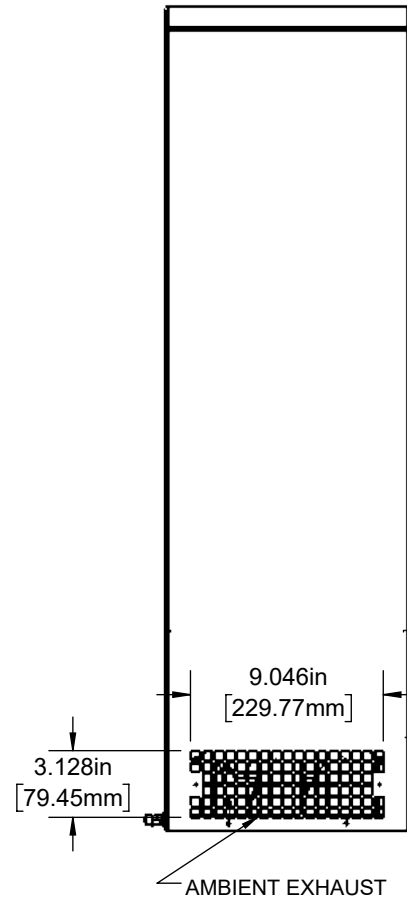
D

C

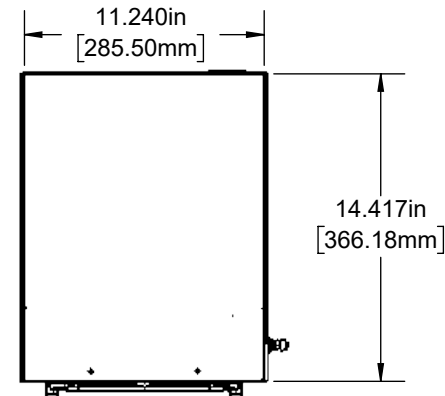
B

A

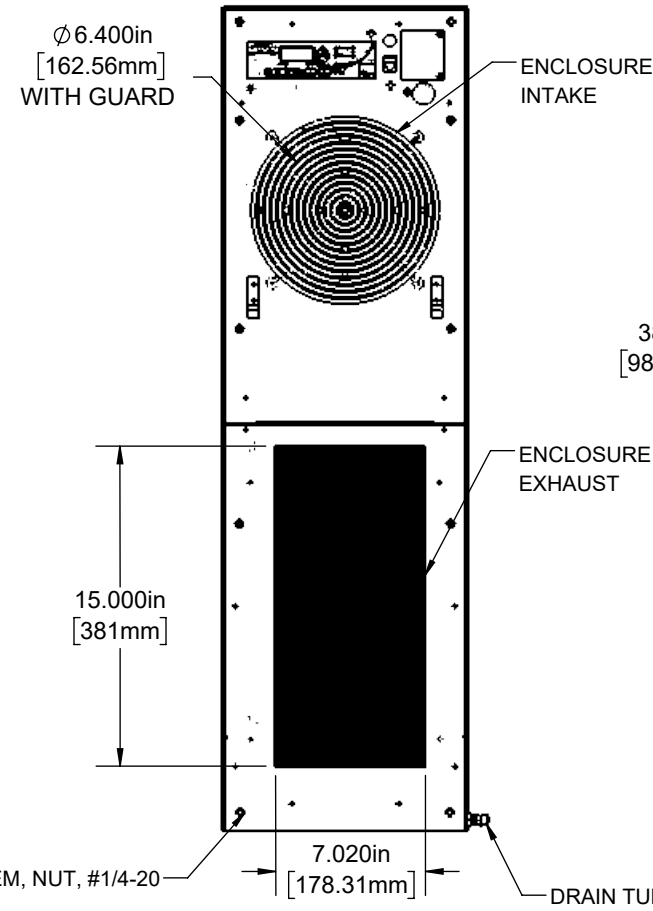
FRONT VIEW



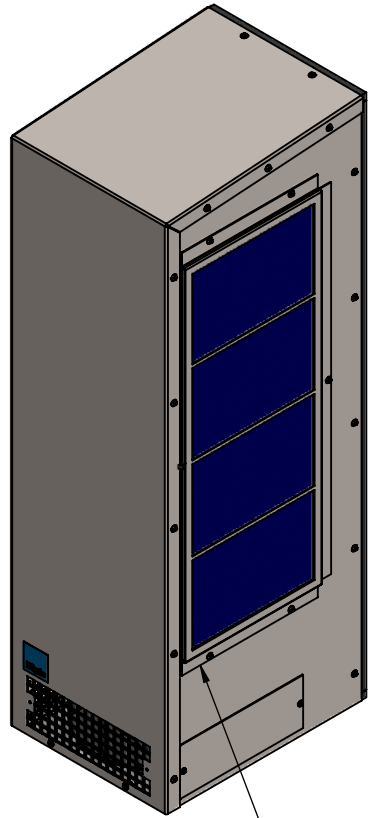
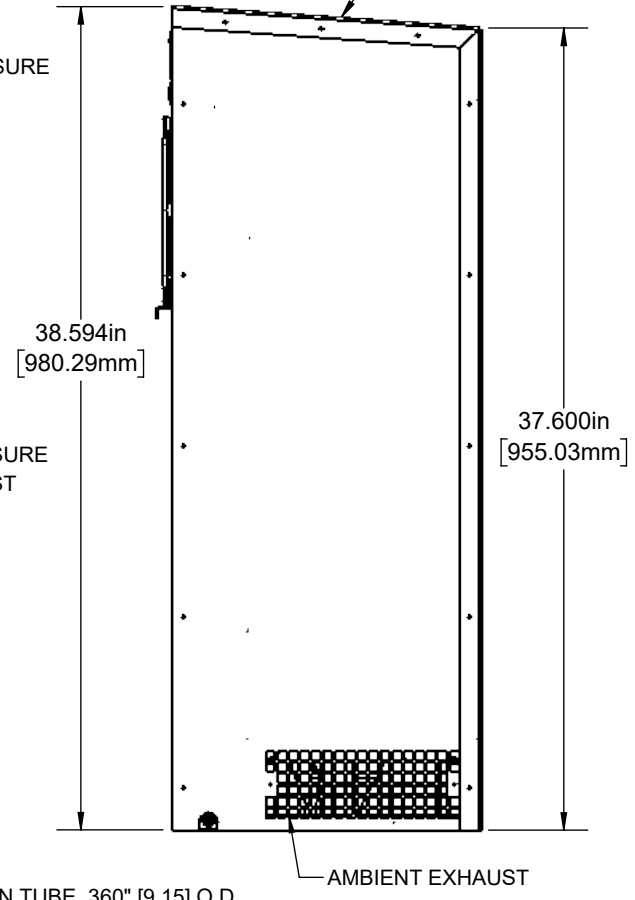
TOP VIEW



REAR VIEW



94° ANGLED TOP



OPTIONAL FILTER COVER SHOWN

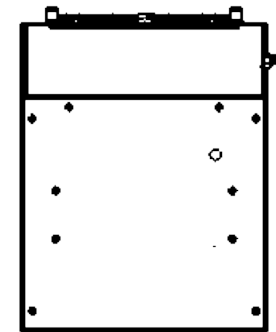
D

C

B

A

BOTTOM VIEW

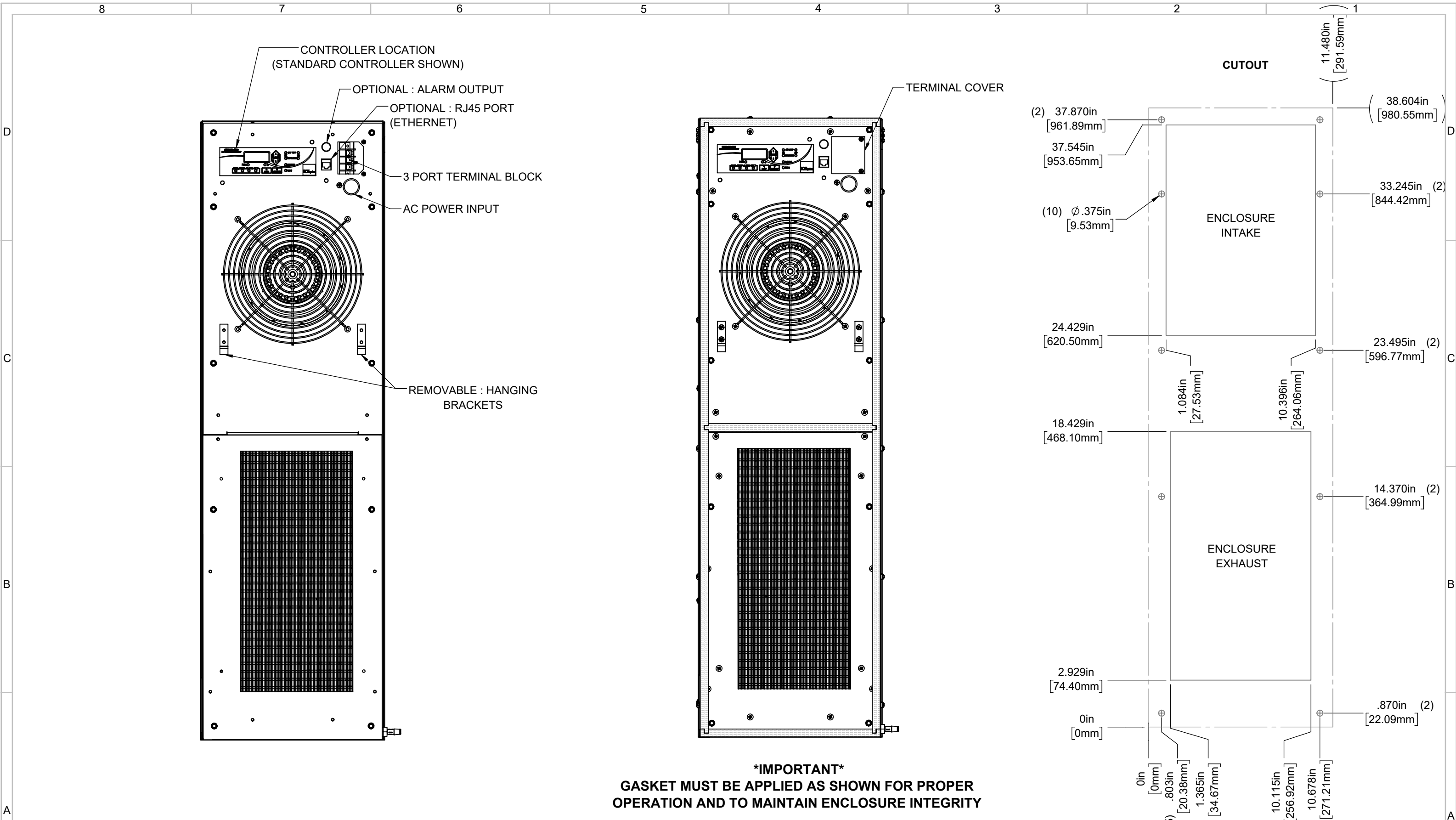


MODEL : **IQ8000 ECO**
 NOMINAL COOLING CAPACITY :
 8680 BTUH (2544W) @ 131-131°F (55°-55°C)
 8200 BTUH (2400W) @ 95-95°F (35°-35°C)
 MAX COOLING AMPS 14.6 (1752W) @ 120V/60Hz
 MAX COOLING AMPS 7.7 (1771W) @ 230V/60Hz
 MAX COOLING AMPS 6.5 (1430W) @ 220V/50Hz
HEAT COMING SOON
 MAX OPERATION TEMPERATURE : 131°F (55°C)
 DIMENSIONS : 38.594"(980MM) H x 11.240"(285MM) W x 14.417"(366MM) D
 DIMENSIONS : 38.594"(980MM) H x 11.715"(298MM) W x 14.417"(366MM) D; W/ FILTER COVER
 WEIGHT : 132 LBS. (59.9 KG)
 REFRIGERANT CHARGE : R407C 36 OZ (1021G) 120V/230V

ITEM NUMBER N/A	USED ON IQ8000 ECO	UNLESS OTHERWISE SPECIFIED TOLERANCES X ±.060 .XX ±.030 .XXX ±.015 FRACTIONAL ±1/16 ANGULAR ±1/2° SURFACE FINISH 63
MATERIAL N/A	EST WT: lbs	DO NOT SCALE DRAWING DIMENSIONS ARE INCHES
DRAWN BY JWS	DATE 4/15/2021	SCALE 1:10
REV	INITIAL DRAFT	
	REVISION	
	CHG	
	DATE	
	APP	
	DATE	
	CN #	

DESCRIPTION IQ8000 ECO SPEC DRAWING
DRAWING NUMBER IQ352699
REV A

ICE QUBE, INC. THIS IS A PROPRIETARY DOCUMENT. DO NOT REPRODUCE OR DISCLOSE WITHOUT THE EXPRESS WRITTEN PERMISSION OF ICE QUBE, INC.



IMPORTANT
GASKET MUST BE APPLIED AS SHOWN FOR PROPER OPERATION AND TO MAINTAIN ENCLOSURE INTEGRITY

EVAP. OUTLET ≈ 525 CFM
 COND. OUTLET ≈ 760 CFM
 SOUND LEVEL @5FT FROM UNIT @ HT. OF 3 FT = 69dBA
 SOUND LEVEL @2FT FROM UNIT @ HT. OF 5 FT = 71dBA
 CONDENSER INLET MIN CLEARANCE 2.54

ITEM NUMBER <i>N/A</i>	USED ON <i>IQ8000 ECO</i> <i>IQ10000 ECO</i> <i>IQ12000 ECO</i>	UNLESS OTHERWISE SPECIFIED TOLERANCES X ±.060 .XX ±.030 .XXX ±.015 FRACTIONAL ±1/4 ANGULAR ±1/2°	 <small>THIS IS A PROPRIETARY DOCUMENT. DO NOT REPRODUCE OR DISCLOSE WITHOUT THE EXPRESS WRITTEN PERMISSION OF ICE QUBE, INC.</small> DESCRIPTION <i>IQ8000 ECO SPEC DRAWING</i>
MATERIAL <i>N/A</i>	EST WT: lbs	SURFACE FINISH 63	
DRAWN BY <i>JWS</i>	DATE <i>4/15/2021</i>	SCALE <i>1:12</i>	<small>REV</small> <i>A</i>